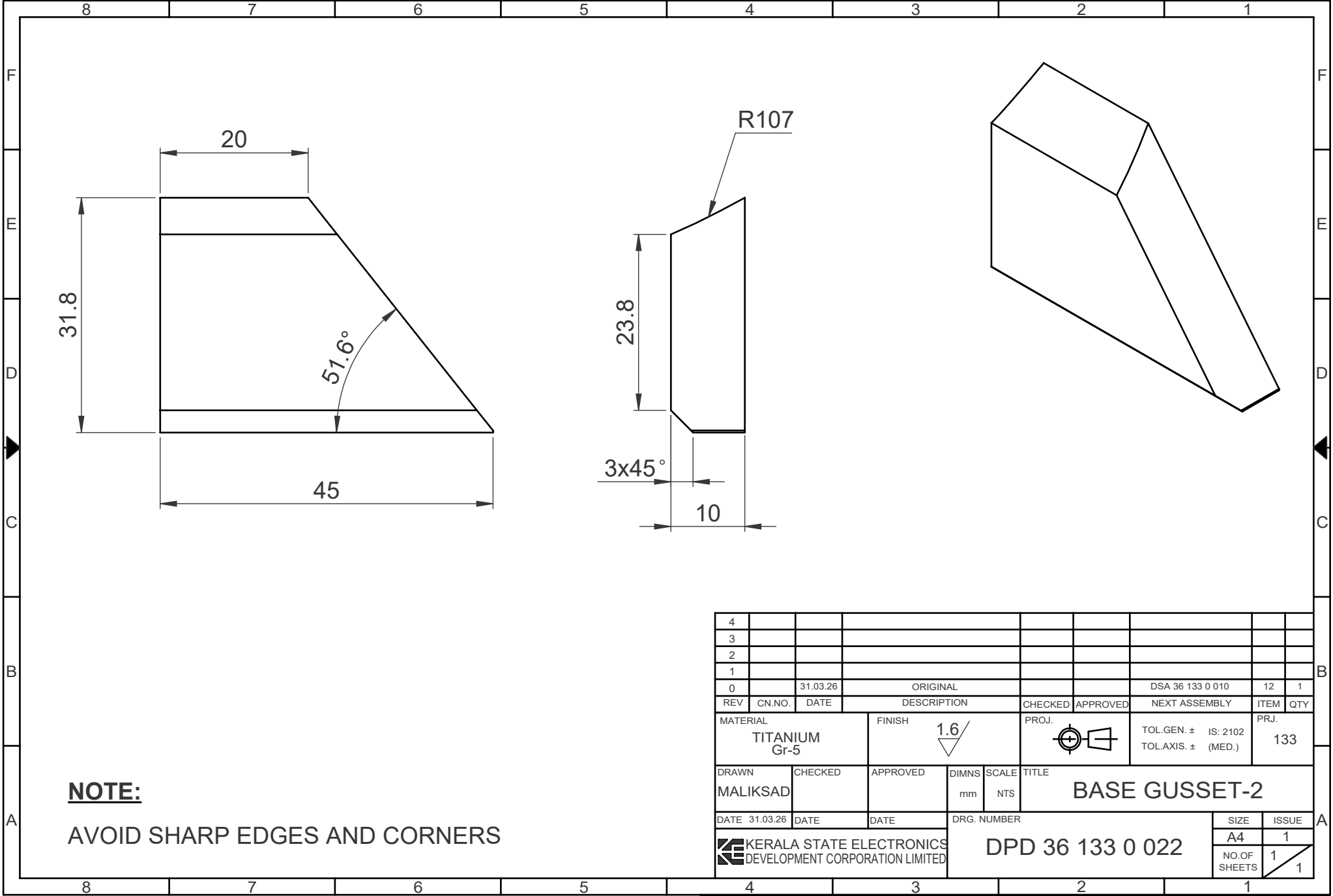


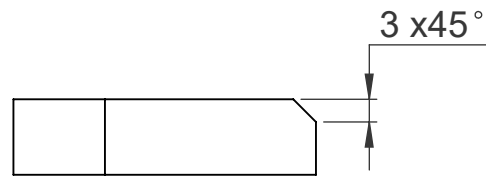
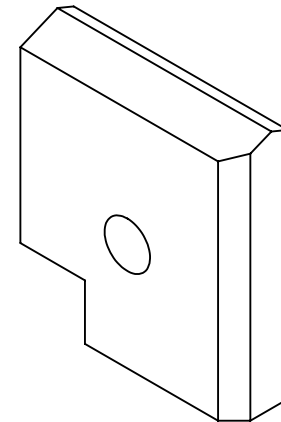
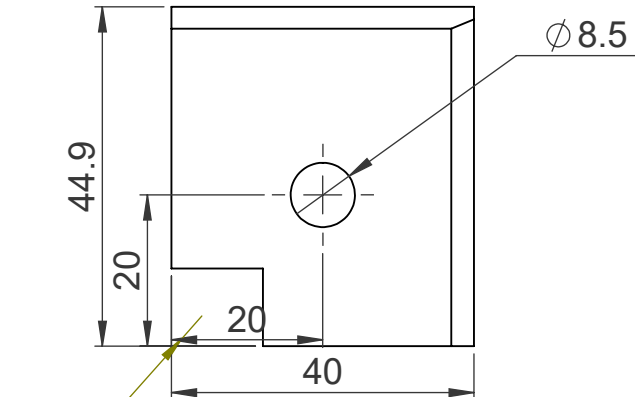
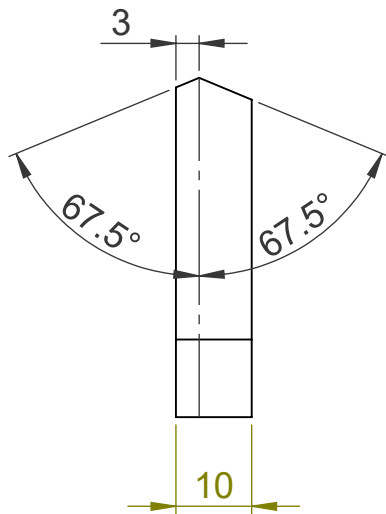
NOTE:
AVOID SHARP EDGES AND CORNERS

4										
3										
2										
1										
0		31.03.26		ORIGINAL				DSA 36 133 0 010	11 1	
REV	CN.NO.	DATE	DESCRIPTION			CHECKED	APPROVED	NEXT ASSEMBLY	ITEM	QTY
MATERIAL			FINISH		PROJ.	TOL.GEN. ± IS: 2102		PRJ.		
TITANIUM Gr-5			1.6/			TOL.AXIS. ± (MED.)		133		
DRAWN	CHECKED	APPROVED	DIMNS	SCALE	TITLE					
MALIKSAD			mm	NTS	BASE GUSSET-1					
DATE	DATE	DATE	DRG. NUMBER			SIZE	ISSUE			
31.03.26			DPD 36 133 0 021			A4	1			
KERALA STATE ELECTRONICS DEVELOPMENT CORPORATION LIMITED						NO.OF SHEETS		1		
						1		1		



NOTE:
AVOID SHARP EDGES AND CORNERS

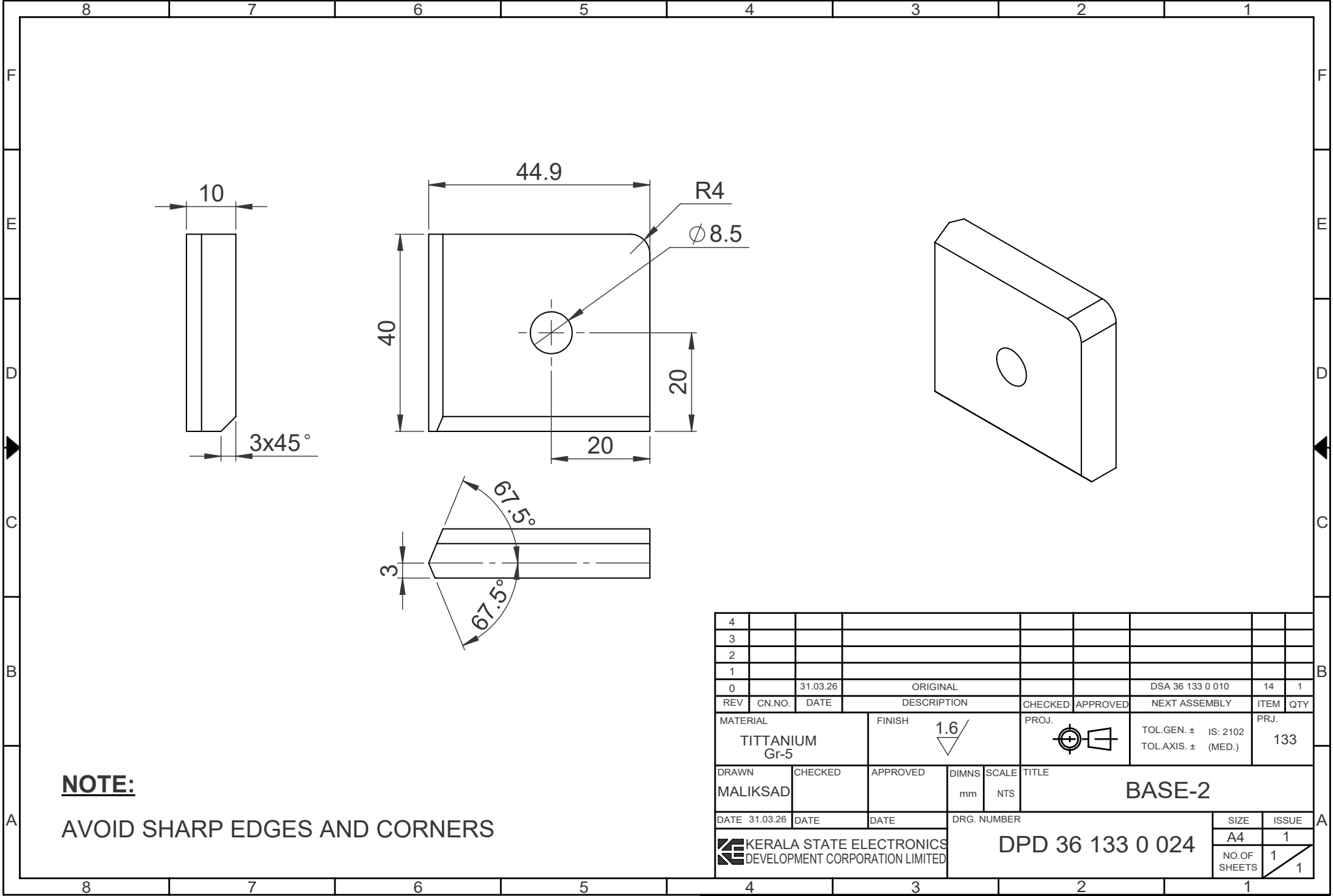
4											
3											
2											
1											
0		31.03.26		ORIGINAL				DSA 36 133 0 010	12	1	
REV	CN.NO.	DATE	DESCRIPTION			CHECKED	APPROVED	NEXT ASSEMBLY	ITEM	QTY	
MATERIAL			FINISH		PROJ.	TOL.GEN. ± IS: 2102		PRJ.			
TITANIUM Gr-5			1.6/▽			TOL.AXIS ± (MED.)		133			
DRAWN	CHECKED	APPROVED	DIMNS	SCALE	TITLE						
MALIKSAD			mm	NTS	BASE GUSSET-2						
DATE	31.03.26	DATE	DATE	DRG. NUMBER				SIZE	ISSUE		
				KERALA STATE ELECTRONICS DEVELOPMENT CORPORATION LIMITED				DPD 36 133 0 022		A4	1
								NO.OF SHEETS	1		
									1		



NOTE:

AVOID SHARP EDGES AND CORNERS

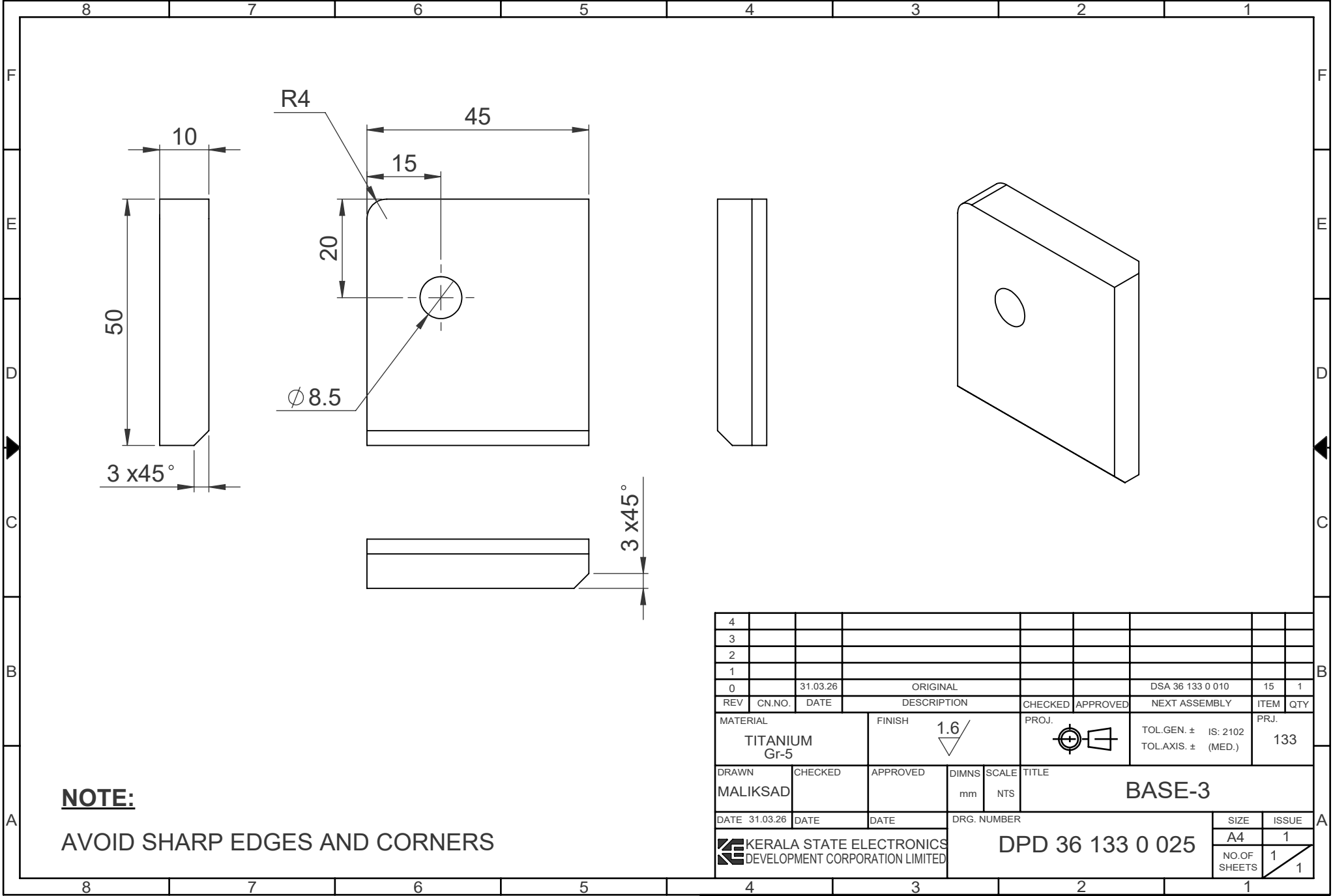
4										
3										
2										
1										
0		31.03.26		ORIGINAL				DSA 36 133 0 010	13	1
REV	CN.NO.	DATE	DESCRIPTION			CHECKED	APPROVED	NEXT ASSEMBLY	ITEM	QTY
MATERIAL			FINISH		PROJ.	TOL.GEN. ± IS: 2102		PRJ.		
TITANIUM Gr-5			1.6/			TOL.AXIS ± (MED.)		133		
DRAWN	CHECKED	APPROVED	DIMNS	SCALE	TITLE					
MALIKSAD			mm	NTS	BASE-1					
DATE	31.03.26	DATE	DATE	DRG. NUMBER				SIZE	ISSUE	
				DPD 36 133 0 023				A4	1	
							NO.OF SHEETS	1		
								1		



NOTE:

AVOID SHARP EDGES AND CORNERS

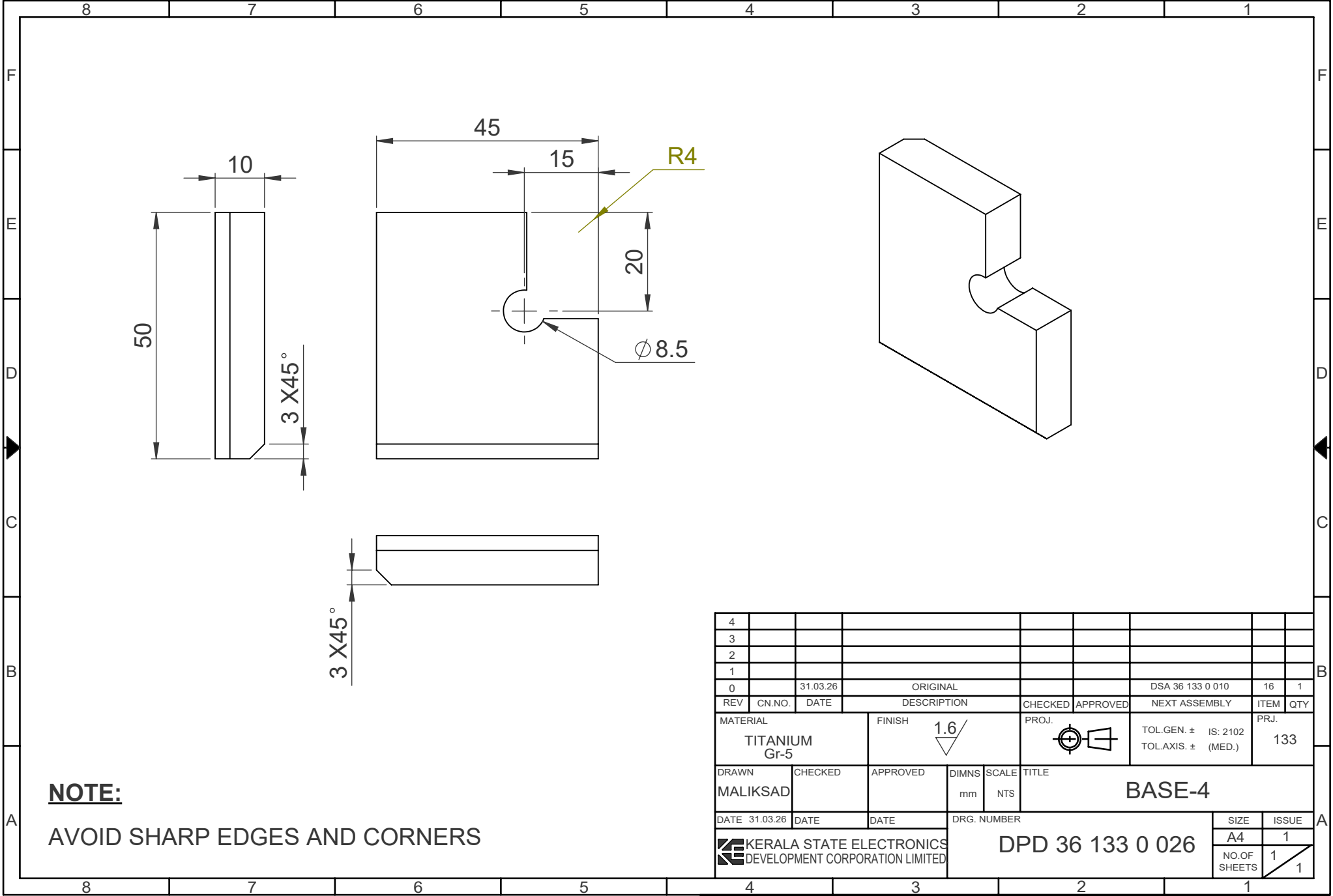
4										
3										
2										
1										
0		31.03.26		ORIGINAL				DSA 36 133 0 010	14	1
REV	CN.NO.	DATE	DESCRIPTION			CHECKED	APPROVED	NEXT ASSEMBLY	ITEM	QTY
MATERIAL			FINISH		PROJ.	TOL.GEN. ± IS: 2102		PRJ.		
TITANIUM Gr-5			1.6			TOL.AXIS ± (MED.)		133		
DRAWN	CHECKED	APPROVED	DIMNS	SCALE	TITLE					
MALIKSAD			mm	NTS	BASE-2					
DATE	31.03.26	DATE	DATE	DRG. NUMBER				SIZE	ISSUE	
KERALA STATE ELECTRONICS DEVELOPMENT CORPORATION LIMITED				DPD 36 133 0 024				A4	1	
							NO.OF SHEETS	1		
								1		



NOTE:

AVOID SHARP EDGES AND CORNERS

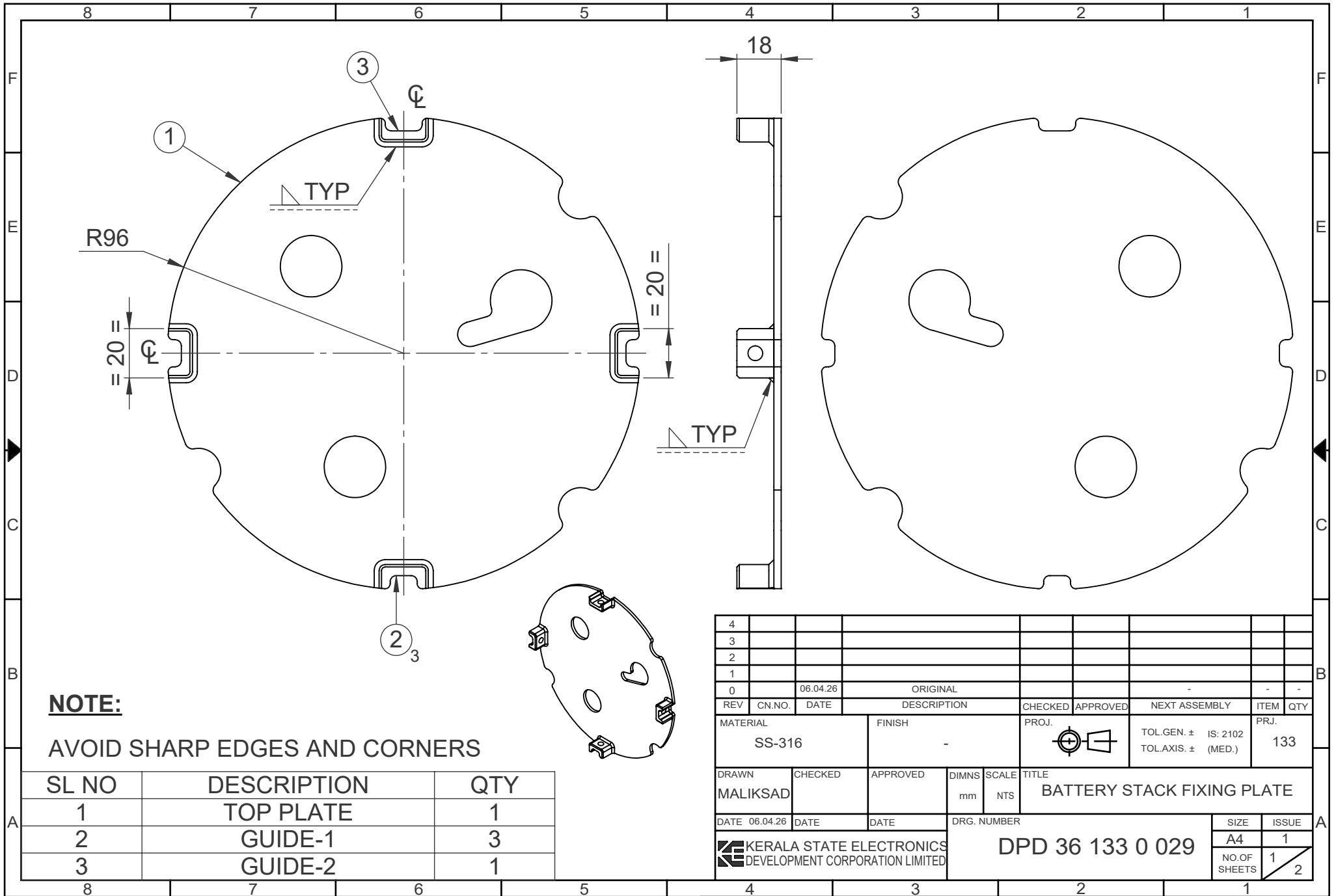
4										
3										
2										
1										
0		31.03.26		ORIGINAL				DSA 36 133 0 010	15	1
REV	CN.NO.	DATE	DESCRIPTION			CHECKED	APPROVED	NEXT ASSEMBLY	ITEM	QTY
MATERIAL			FINISH		PROJ.	TOL.GEN. ± IS: 2102		PRJ.		
TITANIUM Gr-5			1.6			TOL.AXIS. ± (MED.)		133		
DRAWN	CHECKED	APPROVED	DIMNS	SCALE	TITLE					
MALIKSAD			mm	NTS	BASE-3					
DATE	31.03.26	DATE	DATE	DRG. NUMBER				SIZE	ISSUE	
				DPD 36 133 0 025				A4	1	
							NO.OF SHEETS	1		
								1		



NOTE:

AVOID SHARP EDGES AND CORNERS

4										
3										
2										
1										
0		31.03.26		ORIGINAL				DSA 36 133 0 010	16 1	
REV	CN.NO.	DATE	DESCRIPTION			CHECKED	APPROVED	NEXT ASSEMBLY	ITEM	QTY
MATERIAL			FINISH		PROJ.	TOL.GEN. ± IS: 2102		PRJ.		
TITANIUM Gr-5			1.6/			TOL.AXIS ± (MED.)		133		
DRAWN	CHECKED	APPROVED	DIMNS	SCALE	TITLE					
MALIKSAD			mm	NTS	BASE-4					
DATE	31.03.26	DATE	DATE	DRG. NUMBER				SIZE	ISSUE	
				KERALA STATE ELECTRONICS DEVELOPMENT CORPORATION LIMITED				DPD 36 133 0 026	A4	1
								NO.OF SHEETS	1	1

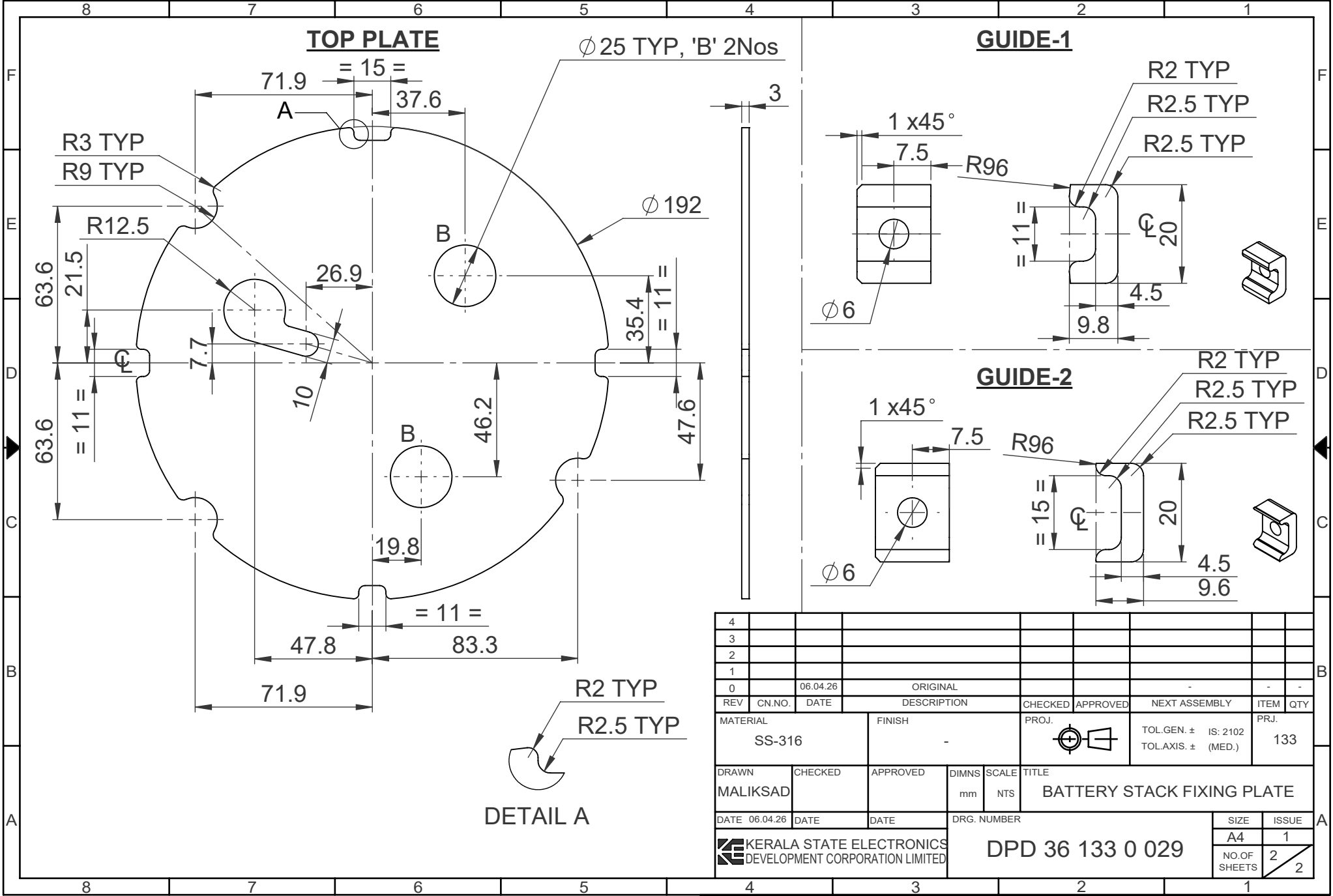


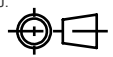

NOTE:

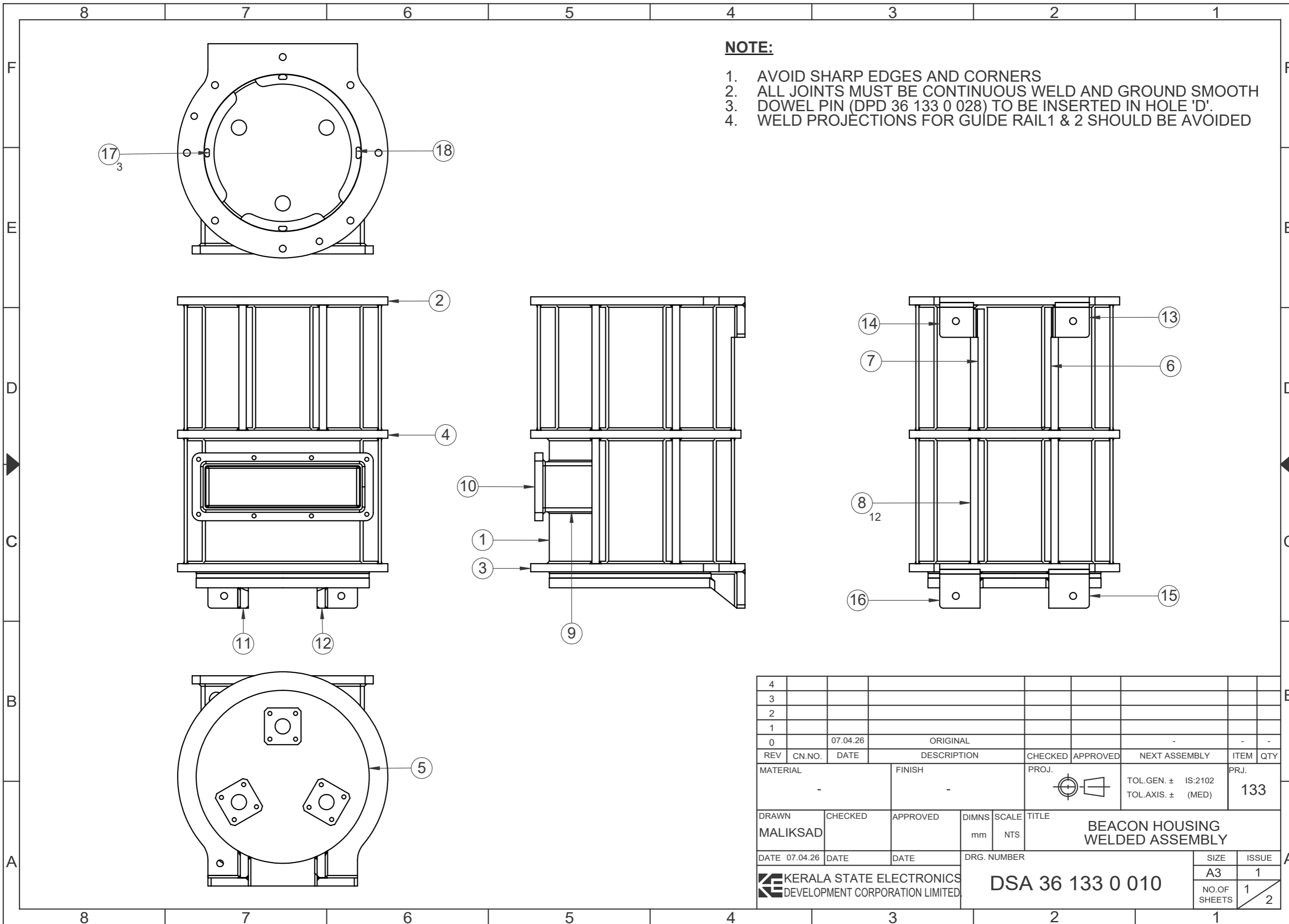
AVOID SHARP EDGES AND CORNERS

SL NO	DESCRIPTION	QTY
1	TOP PLATE	1
2	GUIDE-1	3
3	GUIDE-2	1

4									
3									
2									
1									
0		06.04.26		ORIGINAL				-	-
REV	CN.NO.	DATE	DESCRIPTION		CHECKED	APPROVED	NEXT ASSEMBLY	ITEM	QTY
MATERIAL			FINISH		PROJ.		TOL.GEN. ± IS: 2102		PRJ.
SS-316			-				TOL.AXIS. ± (MED.)		133
DRAWN	CHECKED	APPROVED	DIMNS	SCALE	TITLE				
MALIKSAD			mm	NTS	BATTERY STACK FIXING PLATE				
DATE	06.04.26	DATE	DATE	DRG. NUMBER		SIZE		ISSUE	
						DPD 36 133 0 029		A4	1
								NO.OF SHEETS	1
									2

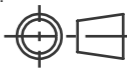


4									
3									
2									
1									
0	06.04.26		ORIGINAL						
REV	CN.NO.	DATE	DESCRIPTION	CHECKED	APPROVED	NEXT ASSEMBLY	ITEM	QTY	
MATERIAL			FINISH		PROJ.		TOL.GEN. ± IS: 2102		PRJ.
SS-316			-				TOL.AXIS. ± (MED.)		133
DRAWN	CHECKED	APPROVED	DIMNS	SCALE	TITLE				
MALIKSAD			mm	NTS	BATTERY STACK FIXING PLATE				
DATE 06.04.26	DATE	DATE	DRG. NUMBER			SIZE	ISSUE		
						DPD 36 133 0 029		A4	1
						NO.OF SHEETS	2		



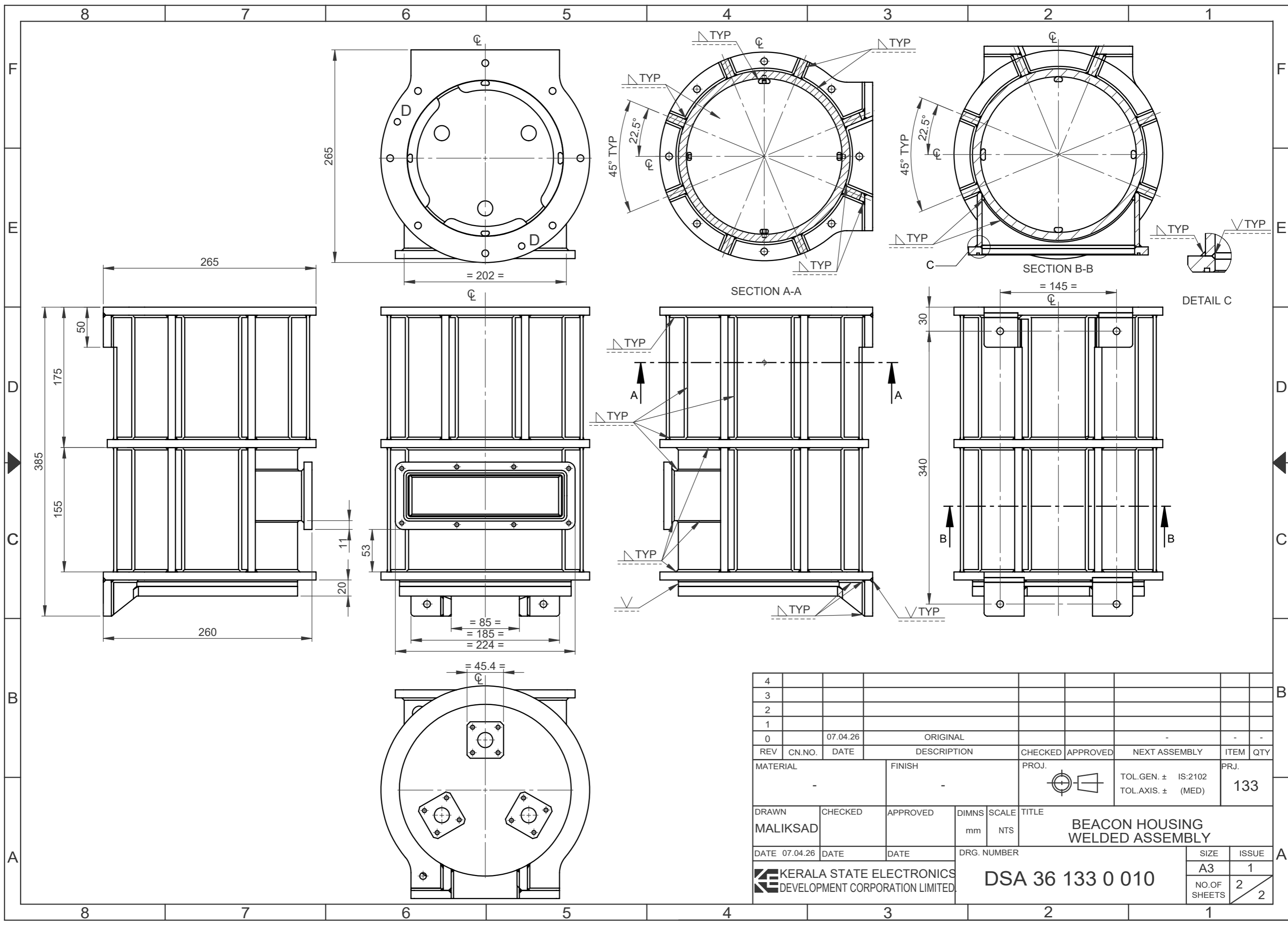
NOTE:

1. AVOID SHARP EDGES AND CORNERS
2. ALL JOINTS MUST BE CONTINUOUS WELD AND GROUND SMOOTH
3. DOWEL PIN (DPD 36 133 0 028) TO BE INSERTED IN HOLE 'D'.
4. WELD PROJECTIONS FOR GUIDE RAIL 1 & 2 SHOULD BE AVOIDED

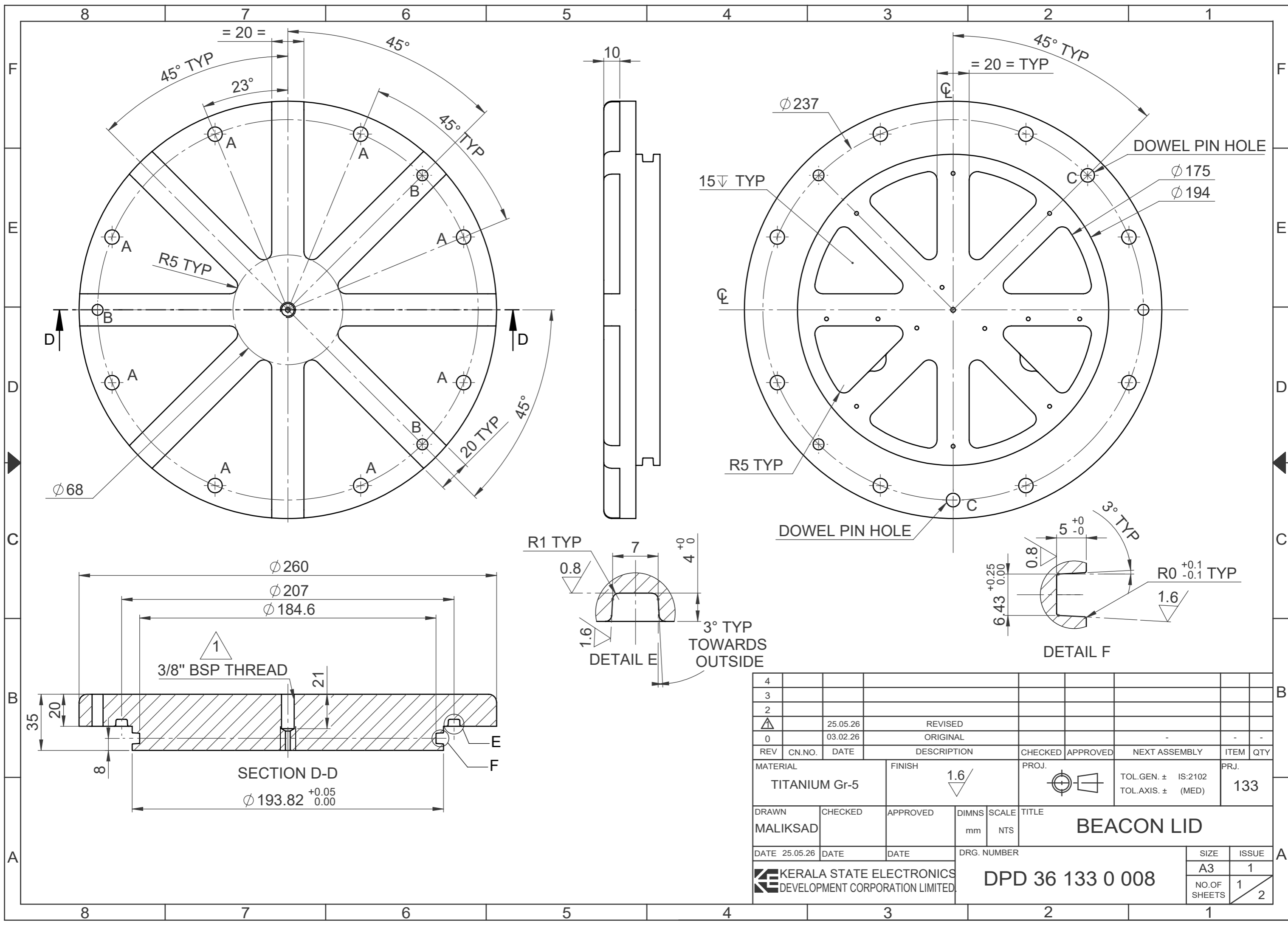
4															
3															
2															
1															
0		07.04.26		ORIGINAL											
REV	CN.NO.	DATE	DESCRIPTION		CHECKED	APPROVED	NEXT ASSEMBLY	ITEM	QTY						
MATERIAL				FINISH		PROJ.		PRJ.							
-				-				TOL.GEN. ± IS:2102 TOL.AXIS. ± (MED)		133					
DRAWN		CHECKED		APPROVED		DIMNS		SCALE		TITLE					
MALIKSAD						mm		NTS		BEACON HOUSING WELDED ASSEMBLY					
DATE 07.04.26		DATE		DATE		DRG. NUMBER				SIZE		ISSUE			
						DSA 36 133 0 010				A3		1			
										NO.OF SHEETS		1			
												2			

KERALA STATE ELECTRONICS DEVELOPMENT CORPORATION LIMITED.

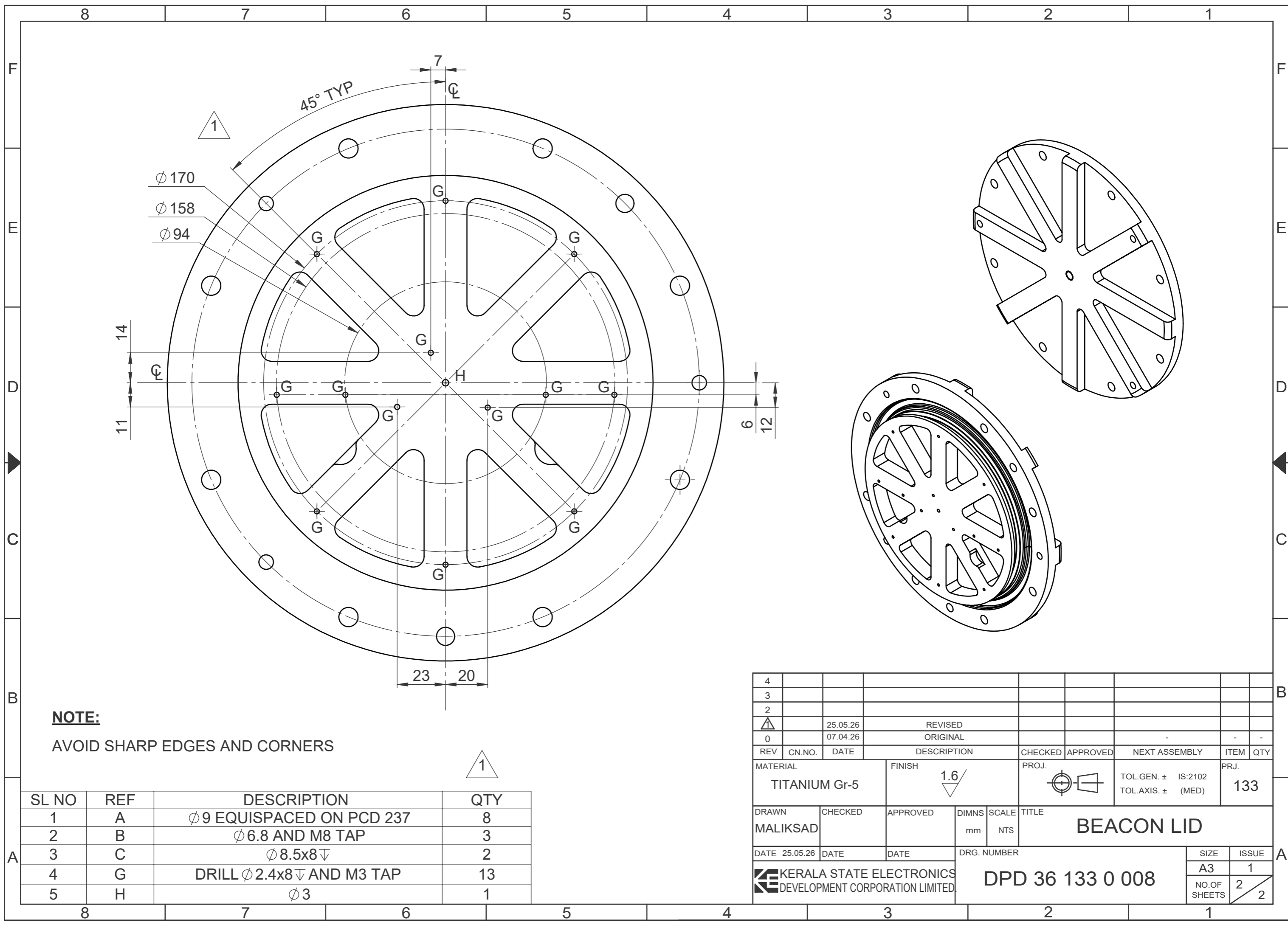
DSA 36 133 0 010



4															
3															
2															
1															
0		07.04.26		ORIGINAL											
REV	CN.NO.	DATE		DESCRIPTION	CHECKED	APPROVED	NEXT ASSEMBLY	ITEM	QTY						
MATERIAL				FINISH		PROJ.		PRJ.		TOL.GEN. ± IS:2102		TOL.AXIS. ± (MED)		133	
DRAWN		CHECKED		APPROVED		DIMNS		SCALE		TITLE					
MALIKSAD						mm		NTS		BEACON HOUSING WELDED ASSEMBLY					
DATE 07.04.26		DATE		DATE		DRG. NUMBER				SIZE		ISSUE			
						KERALA STATE ELECTRONICS DEVELOPMENT CORPORATION LIMITED.		DSA 36 133 0 010		A3		1			
										NO.OF SHEETS		2		2	



4											
3											
2											
1											
0		25.05.26		REVISED							
		03.02.26		ORIGINAL							
REV	CN.NO.	DATE		DESCRIPTION	CHECKED	APPROVED	NEXT ASSEMBLY	ITEM	QTY		
MATERIAL				FINISH	PROJ.	TOL.GEN. \pm IS:2102		PRJ.			
TITANIUM Gr-5				1.6		TOL.AXIS. \pm (MED)		133			
DRAWN	CHECKED	APPROVED	DIMNS	SCALE	TITLE						
MALIKSAD			mm	NTS	BEACON LID						
DATE	25.05.26	DATE	DATE	DRG. NUMBER		SIZE		ISSUE			
KERALA STATE ELECTRONICS DEVELOPMENT CORPORATION LIMITED.				DPD 36 133 0 008		A3		1			
						NO.OF SHEETS		1		2	

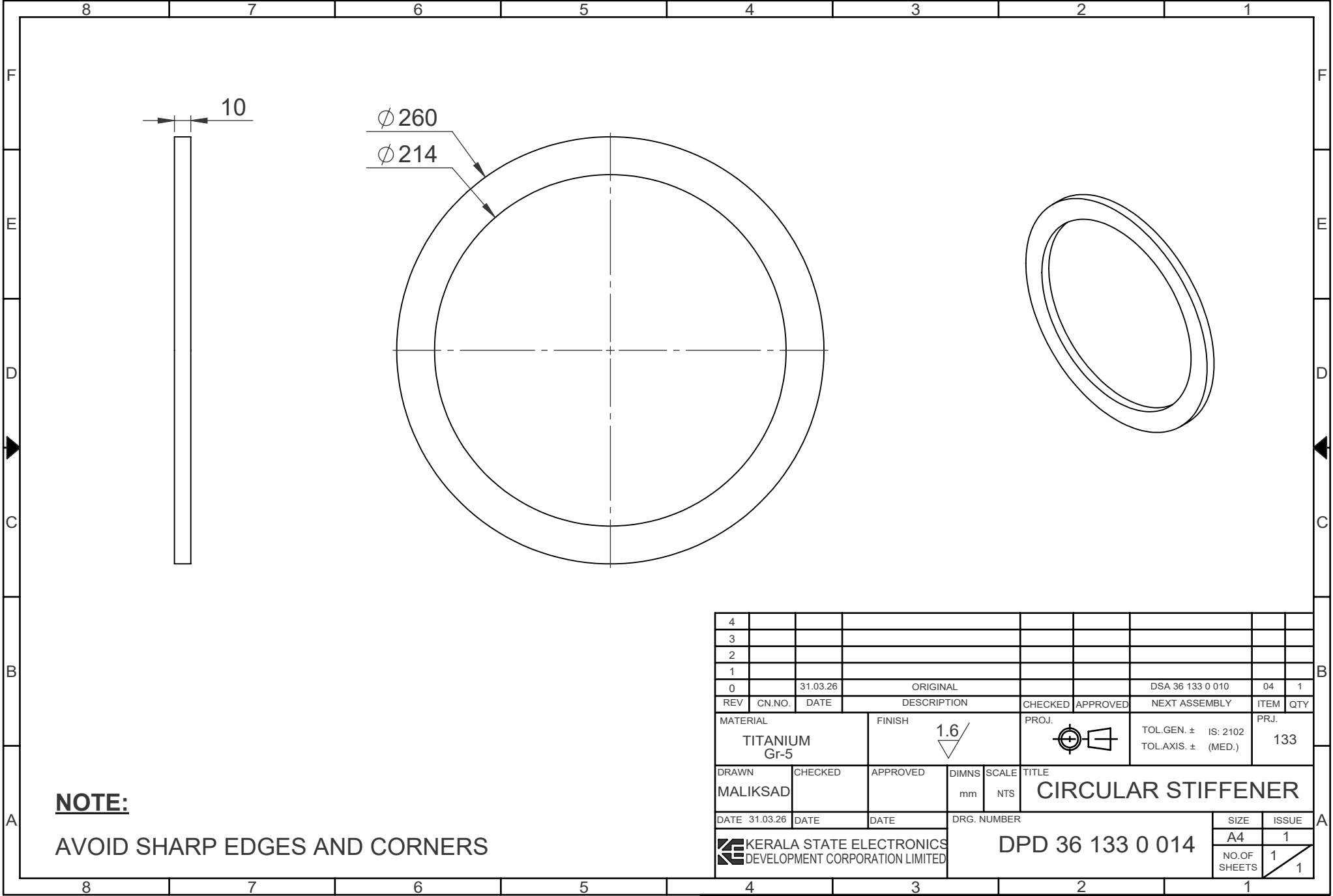


NOTE:
AVOID SHARP EDGES AND CORNERS



SL NO	REF	DESCRIPTION	QTY
1	A	Ø9 EQUISPACED ON PCD 237	8
2	B	Ø6.8 AND M8 TAP	3
3	C	Ø8.5x8▽	2
4	G	DRILL Ø2.4x8▽ AND M3 TAP	13
5	H	Ø3	1

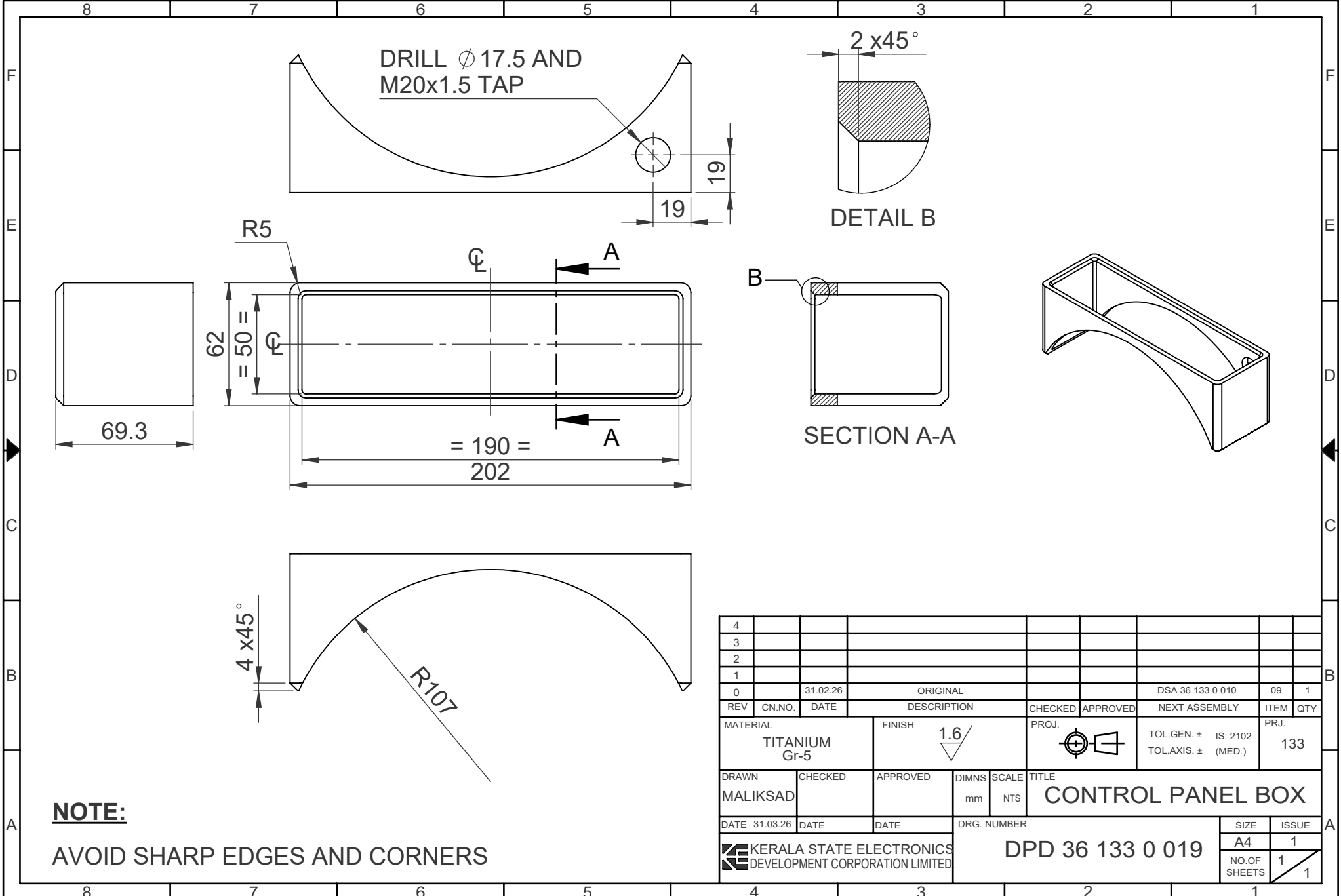
4										
3										
2										
1										
△		25.05.26		REVISED						
0		07.04.26		ORIGINAL						
REV	CN.NO.	DATE	DESCRIPTION	CHECKED	APPROVED	NEXT ASSEMBLY	ITEM	QTY		
MATERIAL				FINISH		PROJ.	PRJ.			
TITANIUM Gr-5				1.6▽		⊕	133			
DRAWN		CHECKED	APPROVED	DIMNS	SCALE	TITLE				
MALIKSAD				mm	NTS	BEACON LID				
DATE	25.05.26	DATE	DATE	DRG. NUMBER		SIZE	ISSUE			
				KERALA STATE ELECTRONICS DEVELOPMENT CORPORATION LIMITED.		DPD 36 133 0 008	A3	1		
						NO.OF SHEETS	2	2		



NOTE:

AVOID SHARP EDGES AND CORNERS

4										
3										
2										
1										
0		31.03.26		ORIGINAL				DSA 36 133 0 010	04	1
REV	CN.NO.	DATE	DESCRIPTION			CHECKED	APPROVED	NEXT ASSEMBLY	ITEM	QTY
MATERIAL			FINISH		PROJ.	TOL.GEN. ± IS: 2102		PRJ.		
TITANIUM Gr-5			1.6			TOL.AXIS. ± (MED.)		133		
DRAWN	CHECKED	APPROVED	DIMNS	SCALE	TITLE					
MALIKSAD			mm	NTS	CIRCULAR STIFFENER					
DATE	31.03.26	DATE	DATE	DRG. NUMBER				SIZE	ISSUE	
				DPD 36 133 0 014				A4	1	
							NO.OF SHEETS	1		
								1		



4									
3									
2									
1									
0		31.02.26	ORIGINAL			DSA 36 133 0 010	09	1	
REV	CN.NO.	DATE	DESCRIPTION	CHECKED	APPROVED	NEXT ASSEMBLY	ITEM	QTY	
MATERIAL			FINISH	PROJ.		TOL.GEN. \pm	PRJ.		
TITANIUM Gr-5			1.6/ ∇			IS: 2102	133		
DRAWN		CHECKED	APPROVED	DIMNS	SCALE	TITLE			
MALIKSAD				mm	NTS	CONTROL PANEL BOX			
DATE	31.03.26	DATE	DATE	DRG. NUMBER		SIZE		ISSUE	
KERALA STATE ELECTRONICS DEVELOPMENT CORPORATION LIMITED						DPD 36 133 0 019		A4	1
								NO.OF SHEETS	1

4

3

2

1

F

F

E

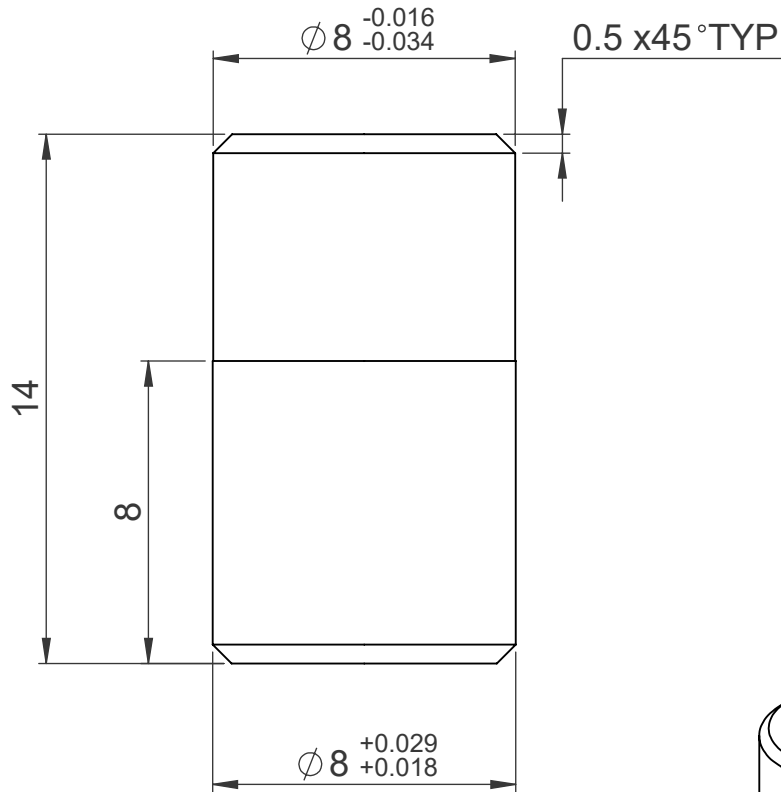
E

D

D

C

C



NOTE:

AVOID SHARP EDGES AND CORNERS

4											
3											
2											
1											
0		02.04.26	ORIGINAL				-	-	-		
REV	CN.NO.	DATE	DESCRIPTION		CHECKED	APPROVED	NEXT ASSEMBLY		ITEM	QTY	
MATERIAL			FINISH		PROJ.		TOL.GEN. ± IS:2102		PRJ.		
TITANIUM Gr-5			1.6				TOL.AXIS. ± (MED)		133		
DRAWN		CHECKED		APPROVED		DIMNS		SCALE		TITLE	
MALIKSAD						mm		NTS		DOWEL PIN	
DATE 02.04.26		DATE		DATE		DRG. NUMBER				SIZE	
						DPD 36 133 0 028				A4	
										ISSUE	
										1	
										NO.OF SHEETS	
										1	
										1	

4

3

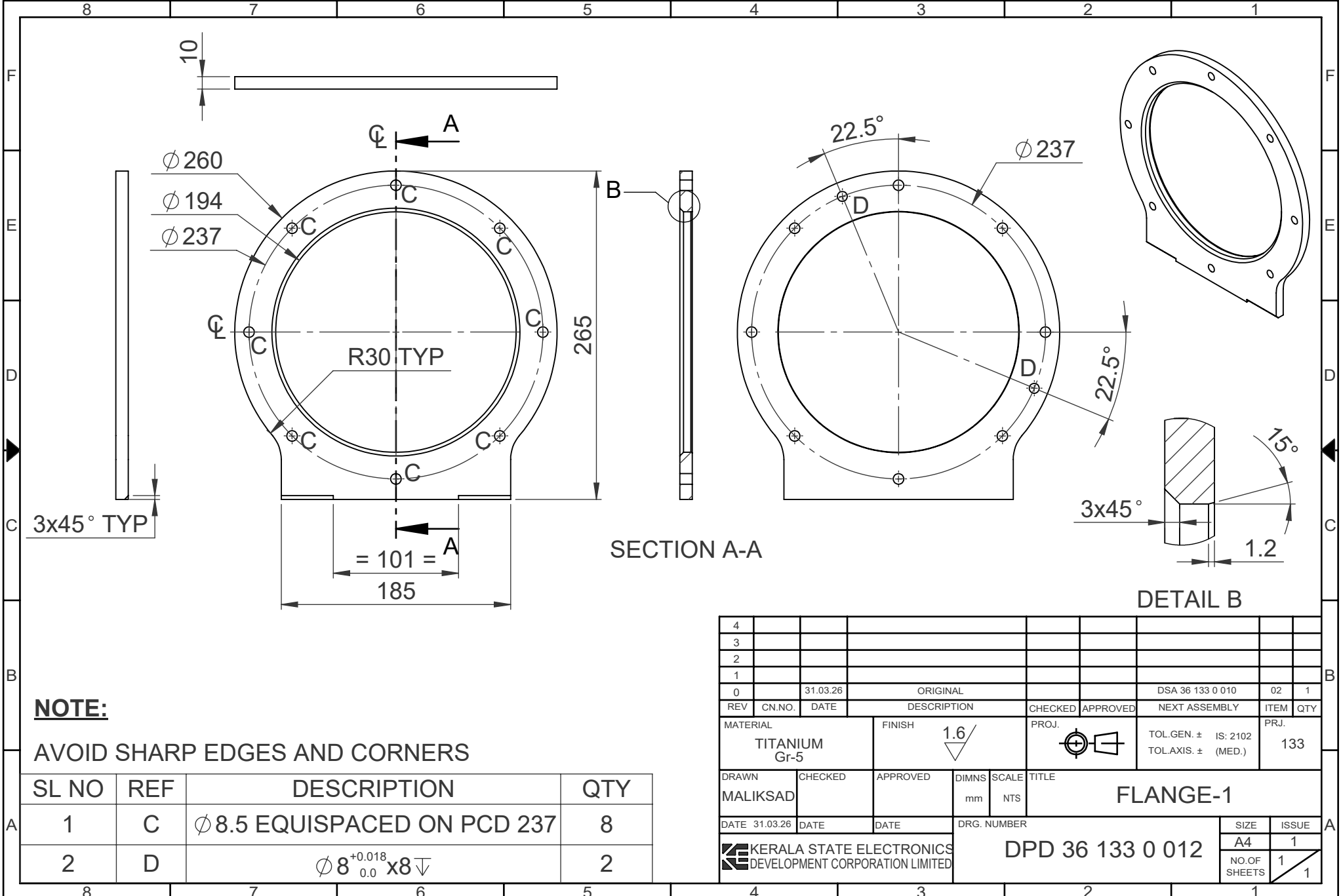
2

1

A

A

KERALA STATE ELECTRONICS DEVELOPMENT CORPORATION LIMITED

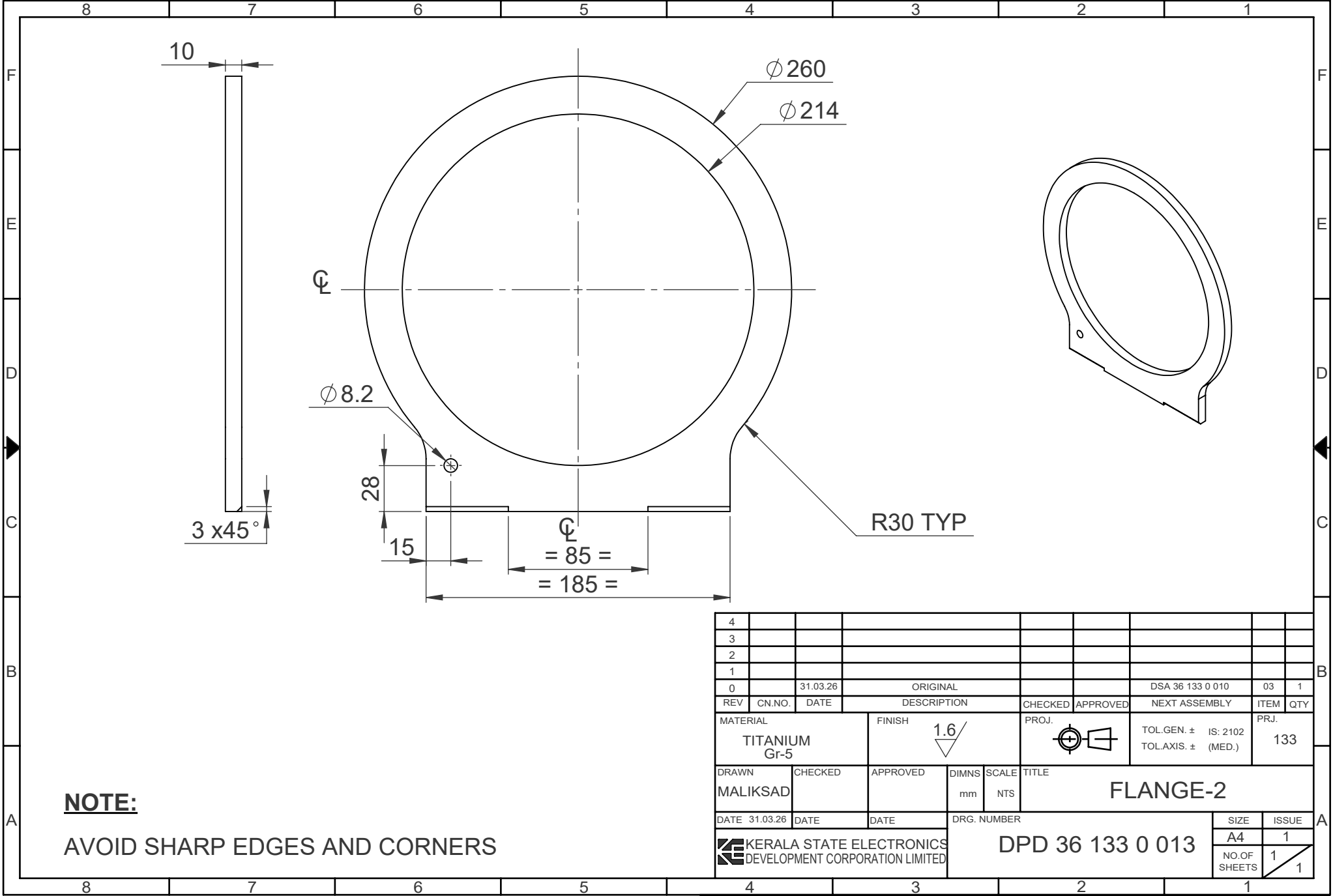


NOTE:

AVOID SHARP EDGES AND CORNERS

SL NO	REF	DESCRIPTION	QTY
1	C	Ø 8.5 EQUISPACED ON PCD 237	8
2	D	Ø 8 ^{+0.018} _{0.0} x 8	2

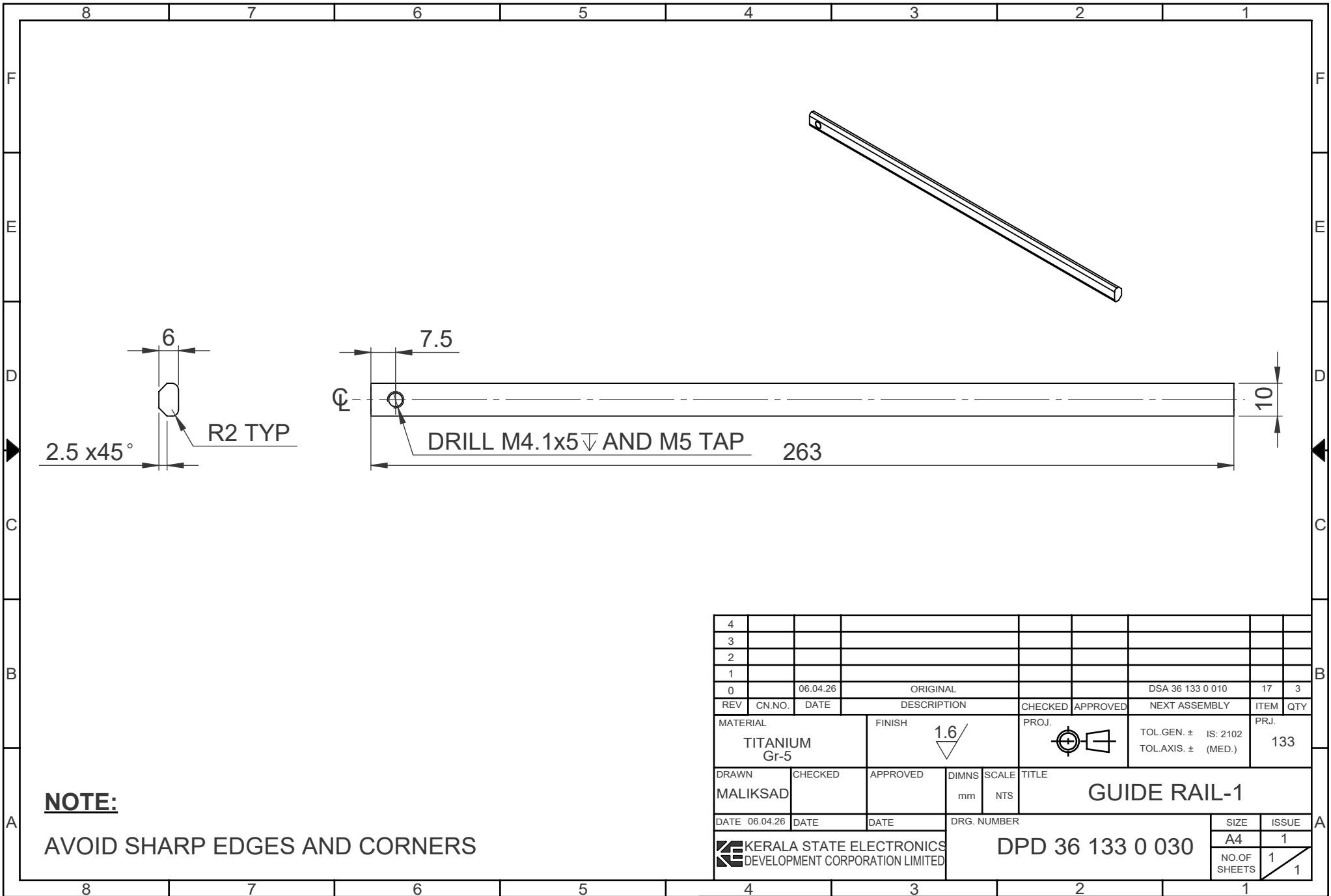
4									
3									
2									
1									
0	31.03.26		ORIGINAL			DSA 36 133 0 010	02	1	
REV	CN.NO.	DATE	DESCRIPTION	CHECKED	APPROVED	NEXT ASSEMBLY	ITEM	QTY	
MATERIAL			FINISH	PROJ.		TOL.GEN. ± IS: 2102		PRJ.	
TITANIUM Gr-5			1.6	[Symbol]		TOL.AXIS. ± (MED.)		133	
DRAWN	CHECKED	APPROVED	DIMNS	SCALE	TITLE				
MALIKSAD			mm	NTS	FLANGE-1				
DATE	DATE	DATE	DRG. NUMBER			SIZE	ISSUE		
31.03.26			DPD 36 133 0 012			A4	1		
KERALA STATE ELECTRONICS DEVELOPMENT CORPORATION LIMITED						NO.OF SHEETS		1	
						1		1	



NOTE:

AVOID SHARP EDGES AND CORNERS

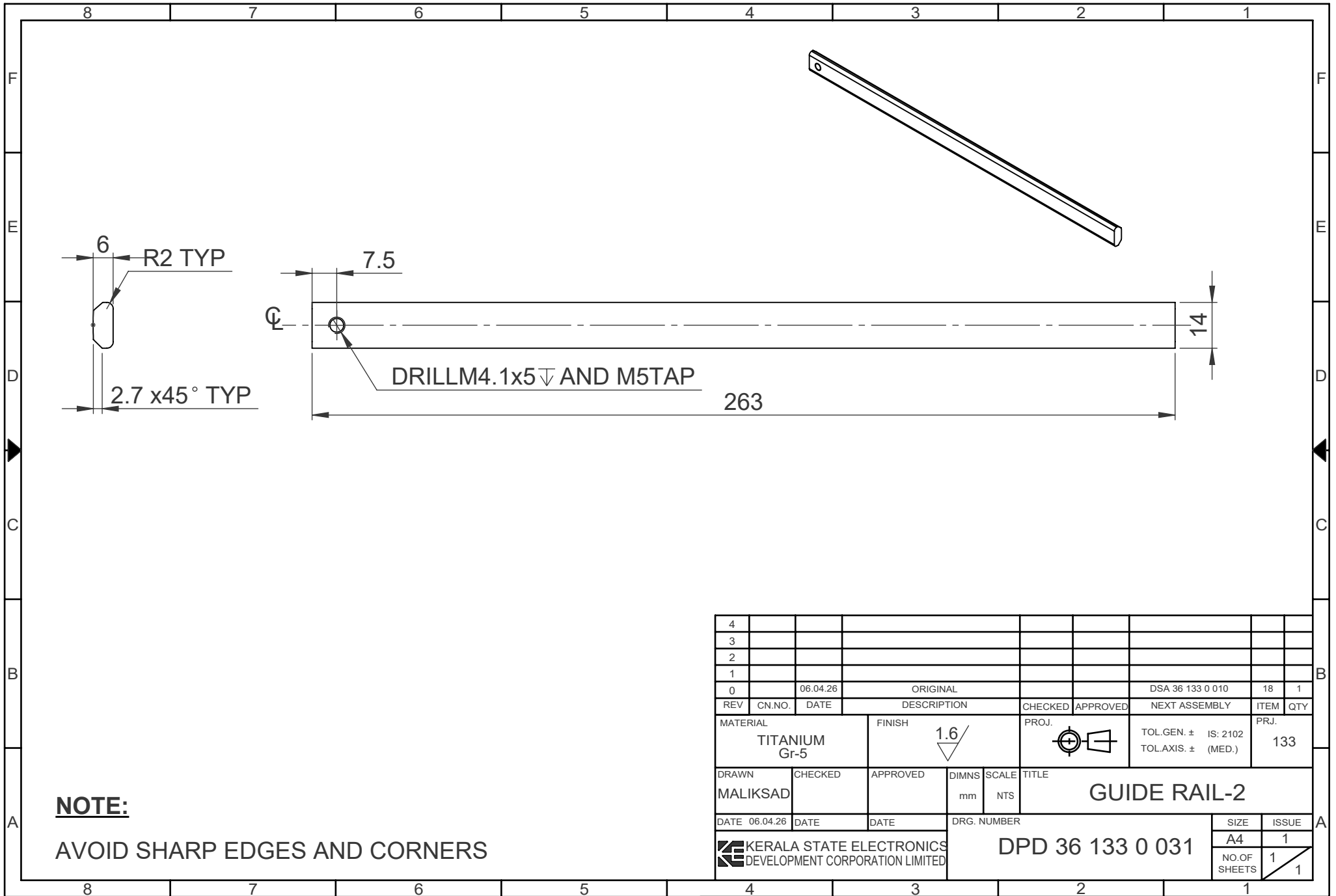
4										
3										
2										
1										
0		31.03.26		ORIGINAL				DSA 36 133 0 010	03 1	
REV	CN.NO.	DATE	DESCRIPTION			CHECKED	APPROVED	NEXT ASSEMBLY	ITEM	QTY
MATERIAL		FINISH		PROJ.	TOL.GEN. ± IS: 2102		PRJ.			
TITANIUM Gr-5		1.6/			TOL.AXIS. ± (MED.)		133			
DRAWN	CHECKED	APPROVED	DIMNS	SCALE	TITLE					
MALIKSAD			mm	NTS	FLANGE-2					
DATE	31.03.26	DATE	DATE	DRG. NUMBER				SIZE	ISSUE	
				DPD 36 133 0 013				A4	1	
							NO.OF SHEETS	1		
								1		



NOTE:

AVOID SHARP EDGES AND CORNERS

4										
3										
2										
1										
0		06.04.26		ORIGINAL				DSA 36 133 0 010	17 3	
REV	CN.NO.	DATE	DESCRIPTION			CHECKED	APPROVED	NEXT ASSEMBLY	ITEM	QTY
MATERIAL			FINISH		PROJ.	TOL.GEN. ± IS: 2102		PRJ.		
TITANIUM Gr-5			1.6			TOL.AXIS ± (MED.)		133		
DRAWN	CHECKED	APPROVED	DIMNS	SCALE	TITLE					
MALIKSAD			mm	NTS	GUIDE RAIL-1					
DATE	06.04.26	DATE	DATE	DRG. NUMBER			SIZE	ISSUE		
				KERALA STATE ELECTRONICS DEVELOPMENT CORPORATION LIMITED			DPD 36 133 0 030	A4	1	
							NO.OF SHEETS	1	1	



NOTE:

AVOID SHARP EDGES AND CORNERS

4											
3											
2											
1											
0		06.04.26		ORIGINAL				DSA 36 133 0 010	18	1	
REV	CN.NO.	DATE	DESCRIPTION			CHECKED	APPROVED	NEXT ASSEMBLY	ITEM	QTY	
MATERIAL			FINISH		PROJ.		TOL.GEN. ± IS: 2102		PRJ.		
TITANIUM Gr-5			1.6				TOL.AXIS. ± (MED.)		133		
DRAWN		CHECKED		APPROVED		DIMNS		SCALE		TITLE	
MALIKSAD						mm		NTS		GUIDE RAIL-2	
DATE 06.04.26		DATE		DATE		DRG. NUMBER				SIZE	ISSUE
						DPD 36 133 0 031				A4	1
										NO.OF SHEETS	1

4

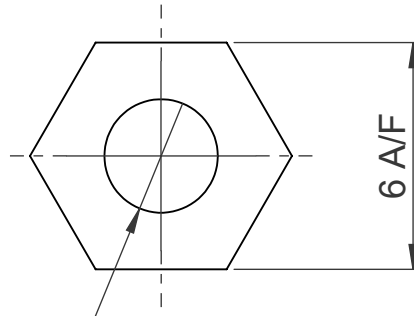
3

2

1

F

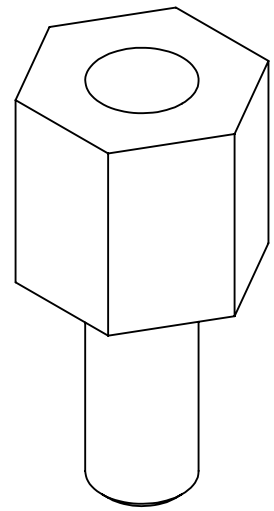
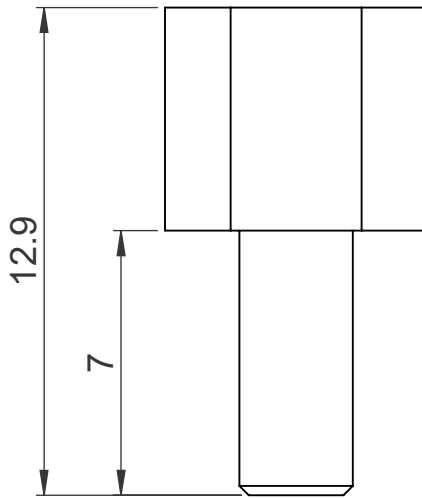
F



DRILL \varnothing 2.4x4 AND M3 TAP

E

E



D

D

C

C

NOTE:

AVOID SHARP EDGES AND CORNERS

B

B

4								
3								
2								
1								

0		06.04.26	ORIGINAL			-	-	-
REV	CN.NO.	DATE	DESCRIPTION	CHECKED	APPROVED	NEXT ASSEMBLY	ITEM	QTY

MATERIAL SS-316		FINISH -		PROJ. 		TOL.GEN. \pm IS:2102 TOL.AXIS. \pm (MED)		PRJ. 133
--------------------	--	-------------	--	-----------	--	---	--	-------------

DRAWN MALIKSAD	CHECKED	APPROVED	DIMNS mm	SCALE NTS	TITLE HEX SPACER-1			
-------------------	---------	----------	-------------	--------------	------------------------------	--	--	--

A

A

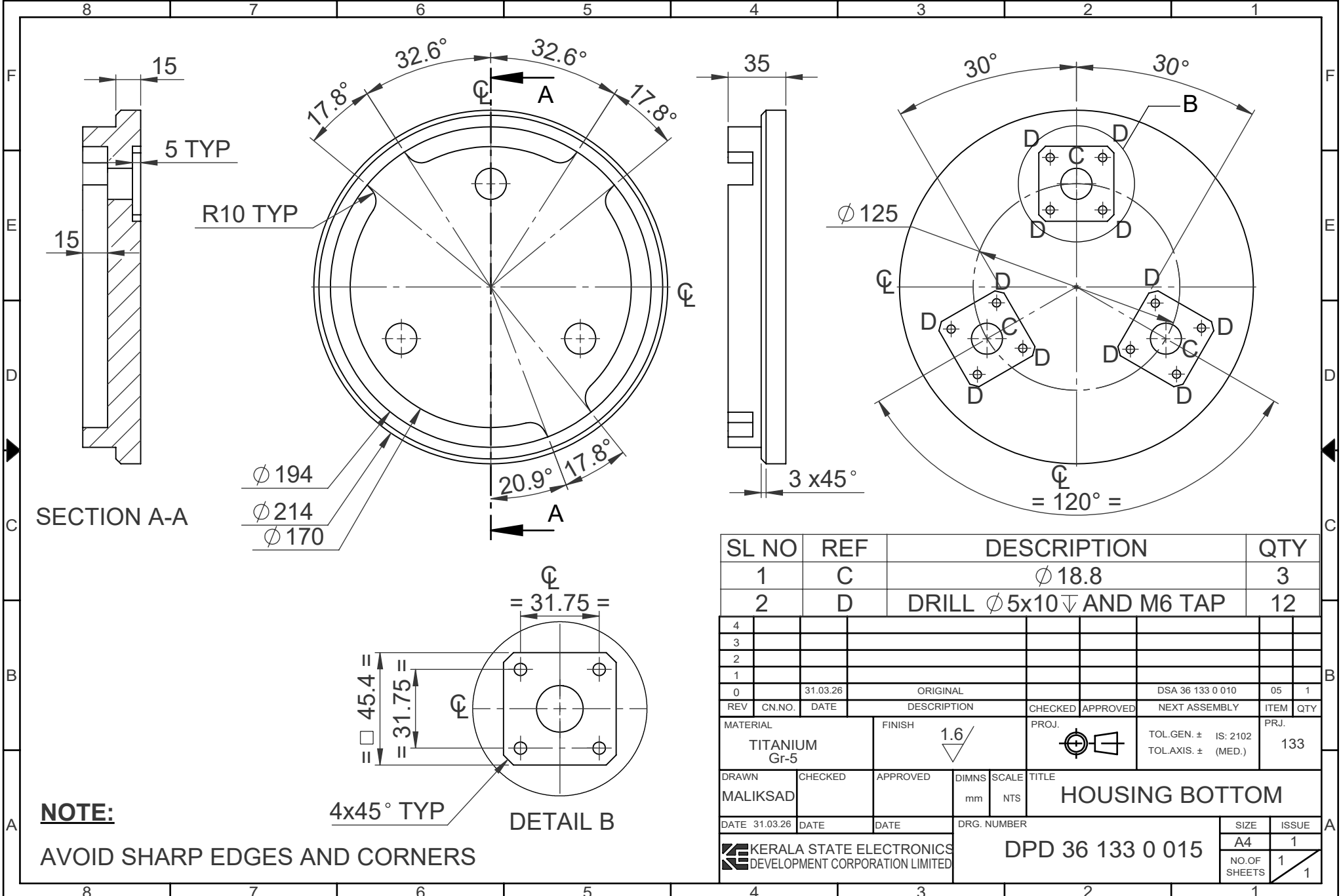
DATE 06.04.26	DATE	DATE	DRG. NUMBER DPD 36 133 0 033				SIZE A4	ISSUE 1
KERALA STATE ELECTRONICS DEVELOPMENT CORPORATION LIMITED							NO.OF SHEETS 1	1

4

3

2

1



SECTION A-A

$\phi 194$
 $\phi 214$
 $\phi 170$

DETAIL B

NOTE:
AVOID SHARP EDGES AND CORNERS

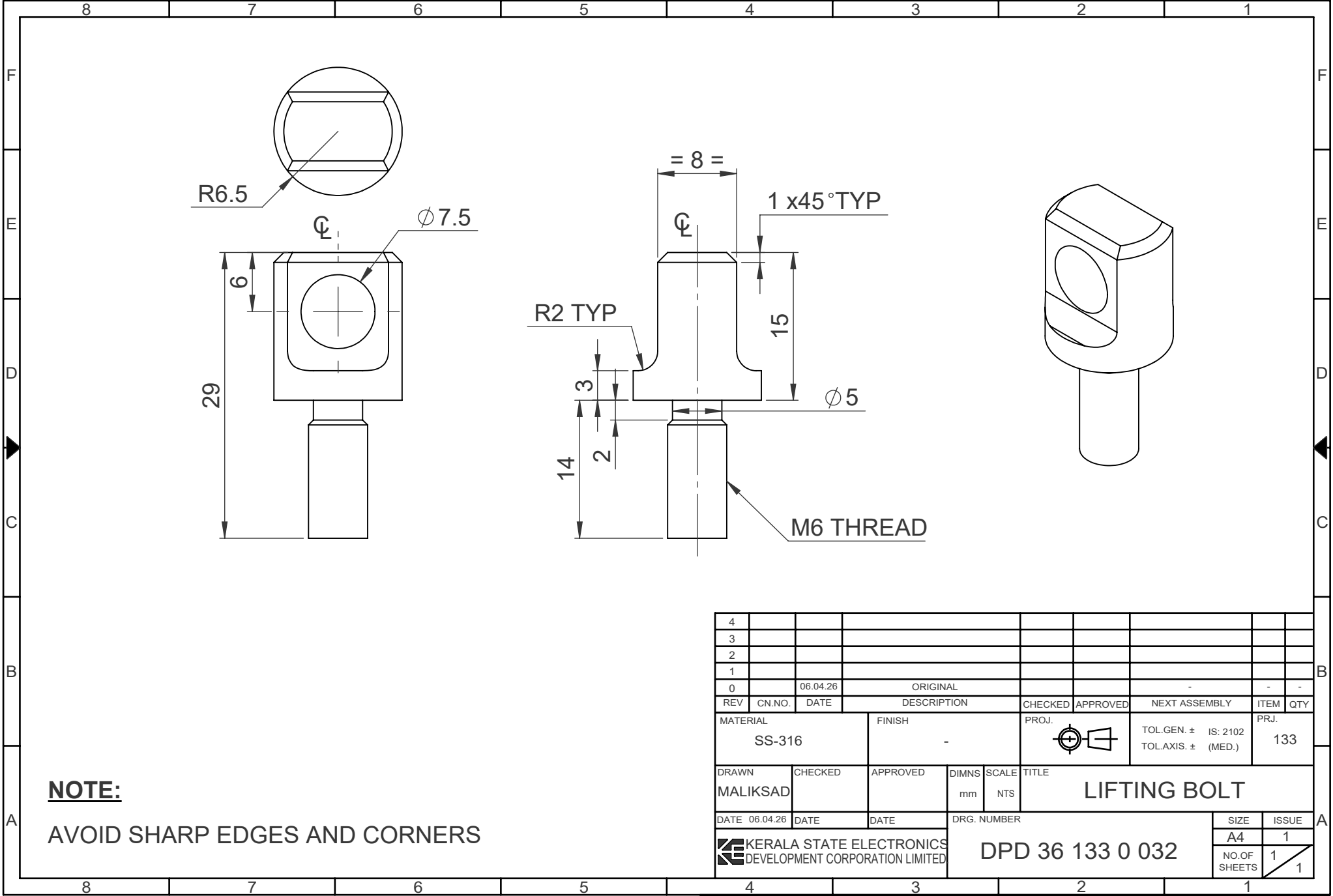
SL NO	REF	DESCRIPTION	QTY
1	C	$\phi 18.8$	3
2	D	DRILL $\phi 5 \times 10 \nabla$ AND M6 TAP	12

REV	CN.NO.	DATE	DESCRIPTION	CHECKED	APPROVED	NEXT ASSEMBLY	ITEM	QTY
0		31.03.26	ORIGINAL			DSA 36 133 0 010	05	1

MATERIAL TITANIUM Gr-5	FINISH 1.6/ ∇	PROJ. 	TOL.GEN. \pm TOL.AXIS. \pm (MED.)	IS: 2102	PRJ. 133
------------------------------	----------------------------	-----------	--	----------	-------------

DRAWN MALIKSAD	CHECKED	APPROVED	DIMNS mm	SCALE NTS	TITLE HOUSING BOTTOM
-------------------	---------	----------	-------------	--------------	-------------------------

DATE 31.03.26	DATE	DATE	DRG. NUMBER DPD 36 133 0 015	SIZE A4	ISSUE 1
KERALA STATE ELECTRONICS DEVELOPMENT CORPORATION LIMITED				NO.OF SHEETS 1	1

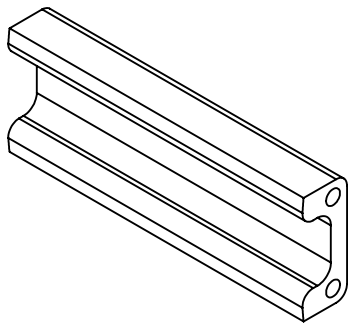
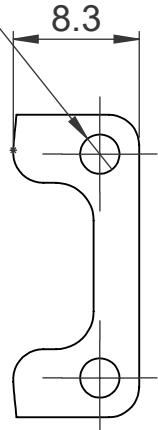
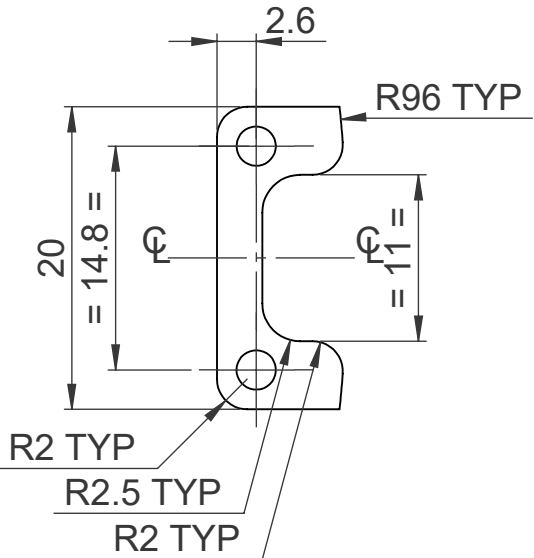


NOTE:

AVOID SHARP EDGES AND CORNERS

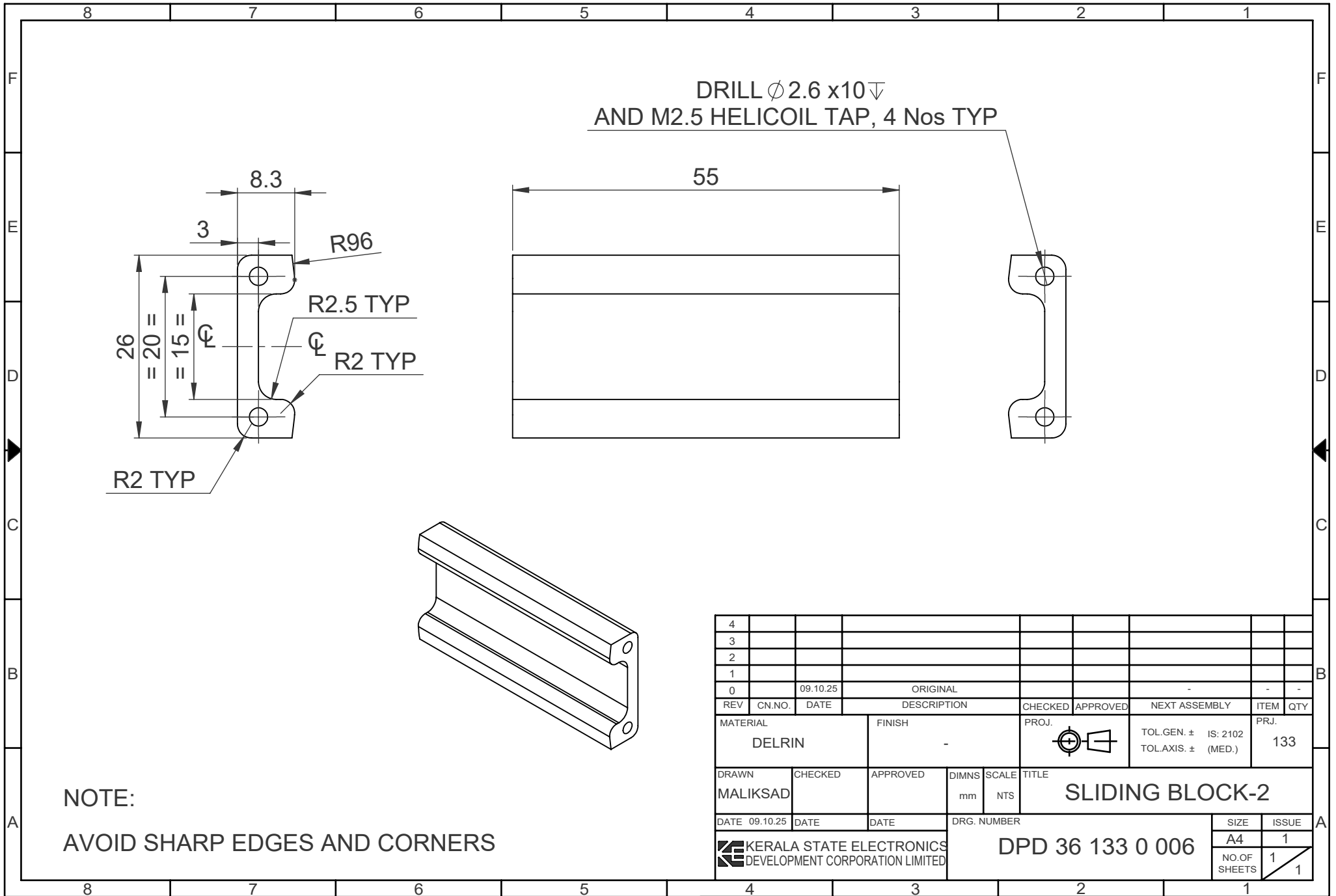
4										
3										
2										
1										
0	06.04.26		ORIGINAL							
REV	CN.NO.	DATE	DESCRIPTION	CHECKED	APPROVED	NEXT ASSEMBLY	ITEM	QTY		
MATERIAL			FINISH	PROJ.		TOL.GEN. \pm IS: 2102	PRJ.			
SS-316			-			TOL.AXIS. \pm (MED.)	133			
DRAWN	CHECKED	APPROVED	DIMNS	SCALE	TITLE					
MALIKSAD			mm	NTS	LIFTING BOLT					
DATE	06.04.26	DATE	DATE	DRG. NUMBER			SIZE	ISSUE		
				DPD 36 133 0 032			A4	1		
							NO.OF SHEETS	1		
								1		

DRILL $\phi 2.6 \times 10 \nabla$
AND M2.5 HELICOIL TAP, 4 Nos TYP

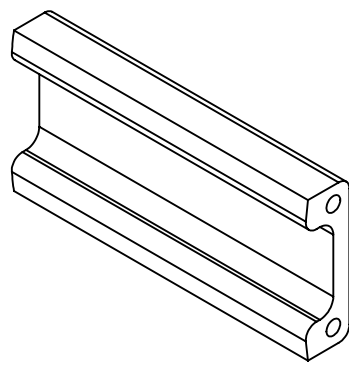
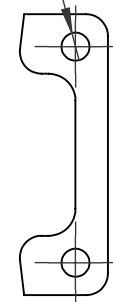
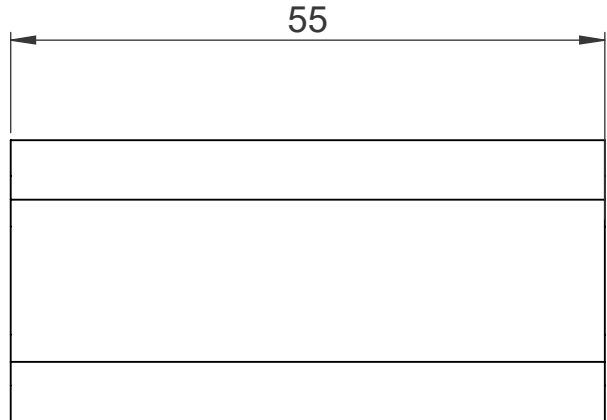
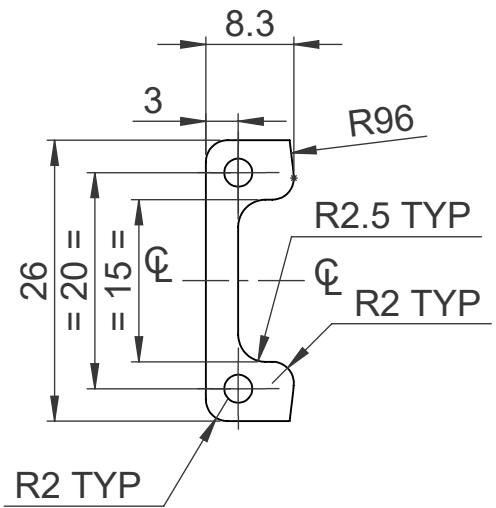


NOTE:
AVOID SHARP EDGES AND CORNERS

4										
3										
2										
1										
0		09.10.25		ORIGINAL				-	-	
REV	CN.NO.	DATE	DESCRIPTION		CHECKED	APPROVED	NEXT ASSEMBLY		ITEM	QTY
MATERIAL			FINISH		PROJ.		TOL.GEN. \pm IS: 2102		PRJ.	
DELTRIN			-				TOL.AXIS. \pm (MED.)		133	
DRAWN	CHECKED	APPROVED	DIMNS	SCALE	TITLE					
MALIKSAD			mm	NTS	SLIDING BLOCK					
DATE	09.10.25	DATE	DATE	DRG. NUMBER			SIZE	ISSUE		
				DPD 36 133 0 003			A4	1		
							NO.OF SHEETS	1		
								1		

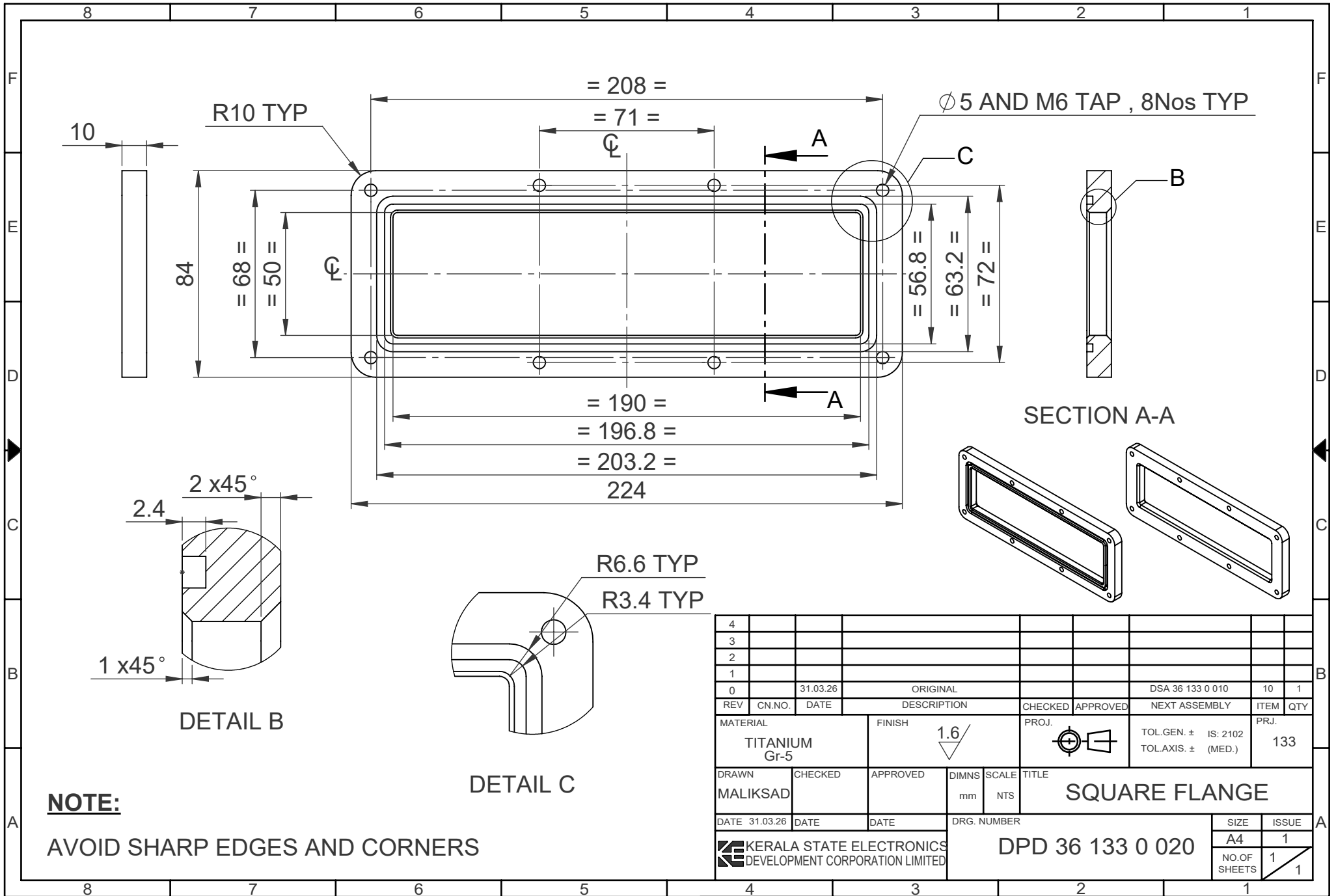


DRILL $\phi 2.6 \times 10 \nabla$
AND M2.5 HELICOIL TAP, 4 Nos TYP

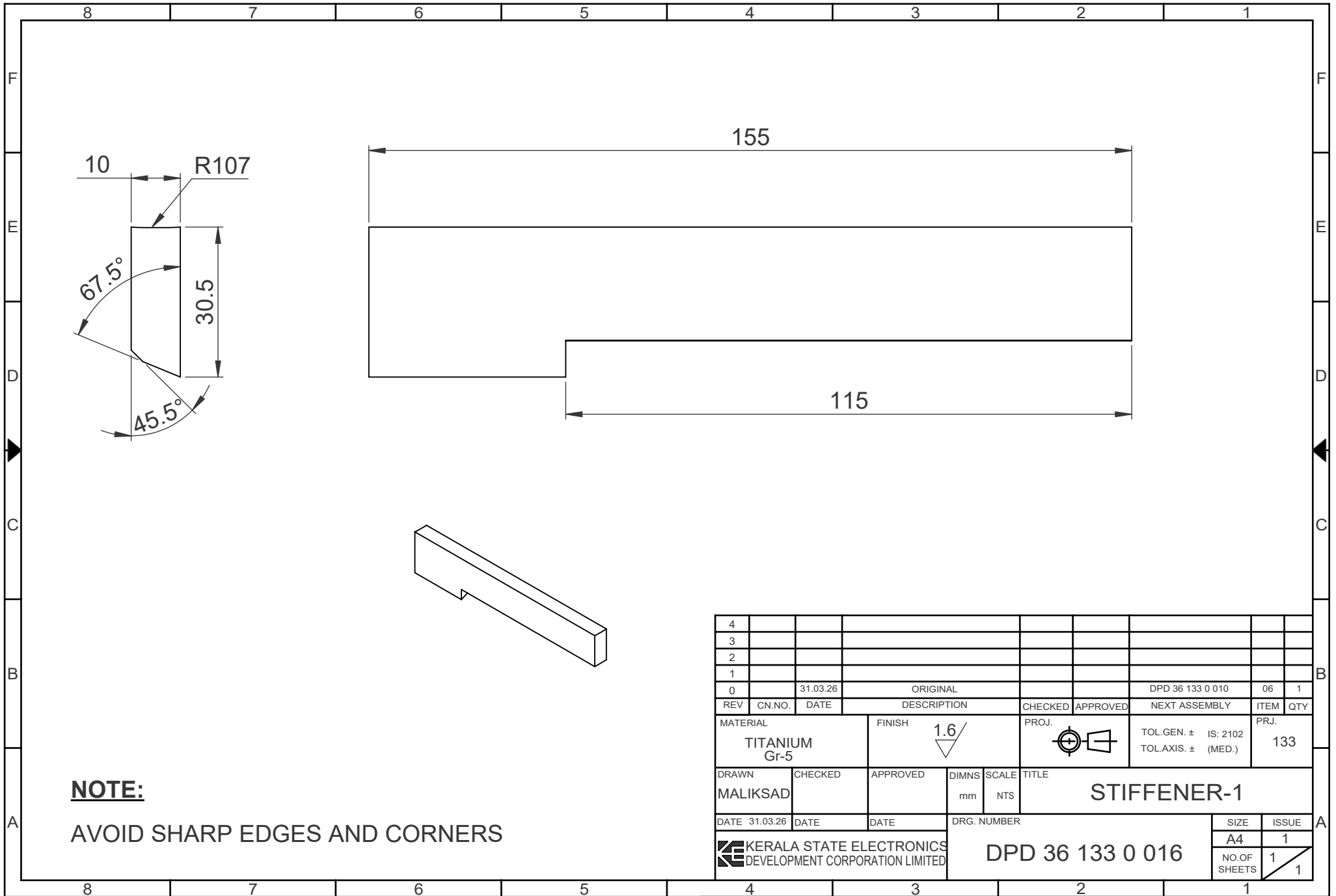


NOTE:
AVOID SHARP EDGES AND CORNERS

4										
3										
2										
1										
0		09.10.25		ORIGINAL				-	-	
REV	CN.NO.	DATE	DESCRIPTION			CHECKED	APPROVED	NEXT ASSEMBLY	ITEM	QTY
MATERIAL			FINISH		PROJ.	TOL.GEN. \pm IS: 2102		PRJ.		
DELTRIN			-			TOL.AXIS. \pm (MED.)		133		
DRAWN	CHECKED	APPROVED	DIMNS	SCALE	TITLE					
MALIKSAD			mm	NTS	SLIDING BLOCK-2					
DATE	09.10.25	DATE	DATE	DRG. NUMBER			SIZE	ISSUE		
				KERALA STATE ELECTRONICS DEVELOPMENT CORPORATION LIMITED			DPD 36 133 0 006	A4	1	
							NO.OF SHEETS	1	1	



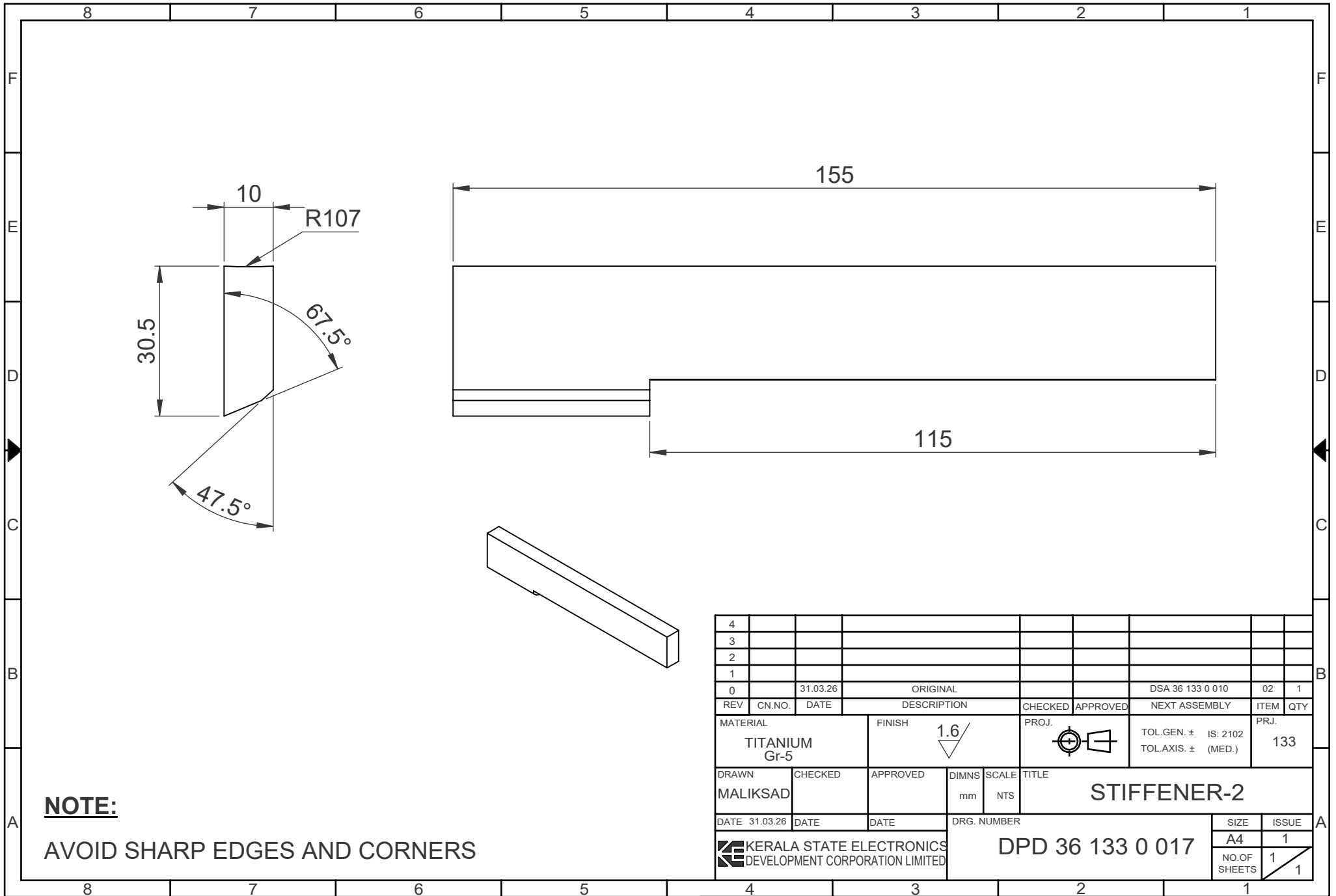
4										
3										
2										
1										
0		31.03.26		ORIGINAL				DSA 36 133 0 010	10 1	
REV	CN.NO.	DATE	DESCRIPTION			CHECKED	APPROVED	NEXT ASSEMBLY	ITEM	QTY
MATERIAL		FINISH		PROJ.	TOL.GEN. \pm		IS: 2102		PRJ.	
TITANIUM Gr-5		1.6			TOL.AXIS. \pm		(MED.)		133	
DRAWN	CHECKED	APPROVED	DIMNS	SCALE	TITLE					
MALIKSAD			mm	NTS	SQUARE FLANGE					
DATE	DATE	DATE	DRG. NUMBER			SIZE	ISSUE			
31.03.26			DPD 36 133 0 020			A4	1			
KERALA STATE ELECTRONICS DEVELOPMENT CORPORATION LIMITED						NO.OF SHEETS		1		
						1		1		



NOTE:

AVOID SHARP EDGES AND CORNERS

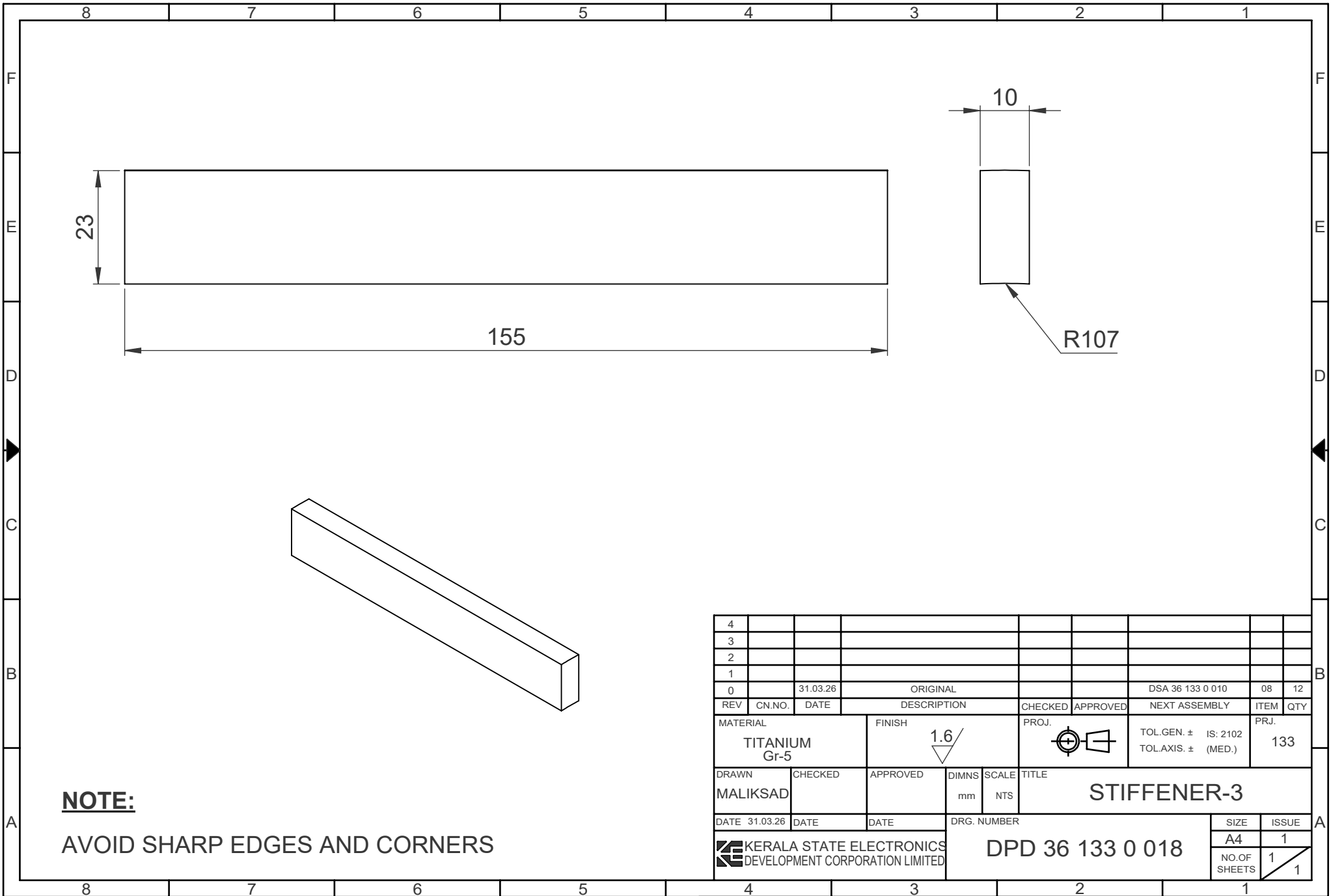
4										
3										
2										
1										
0		31.03.26		ORIGINAL				DPD 36 133 0 010	06	1
REV	CN.NO.	DATE	DESCRIPTION			CHECKED	APPROVED	NEXT ASSEMBLY	ITEM	QTY
MATERIAL			FINISH		PROJ.	TOL.GEN. ± IS: 2102		PRJ.		
TITANIUM Gr-5			1.6/▽			TOL.AXIS. ± (MED.)		133		
DRAWN	CHECKED	APPROVED	DIMNS	SCALE	TITLE					
MALIKSAD			mm	NTS	STIFFENER-1					
DATE	31.03.26	DATE	DATE	DRG. NUMBER			SIZE	ISSUE		
				KERALA STATE ELECTRONICS DEVELOPMENT CORPORATION LIMITED			DPD 36 133 0 016	A4	1	
							NO.OF SHEETS	1		
								1		



NOTE:

AVOID SHARP EDGES AND CORNERS

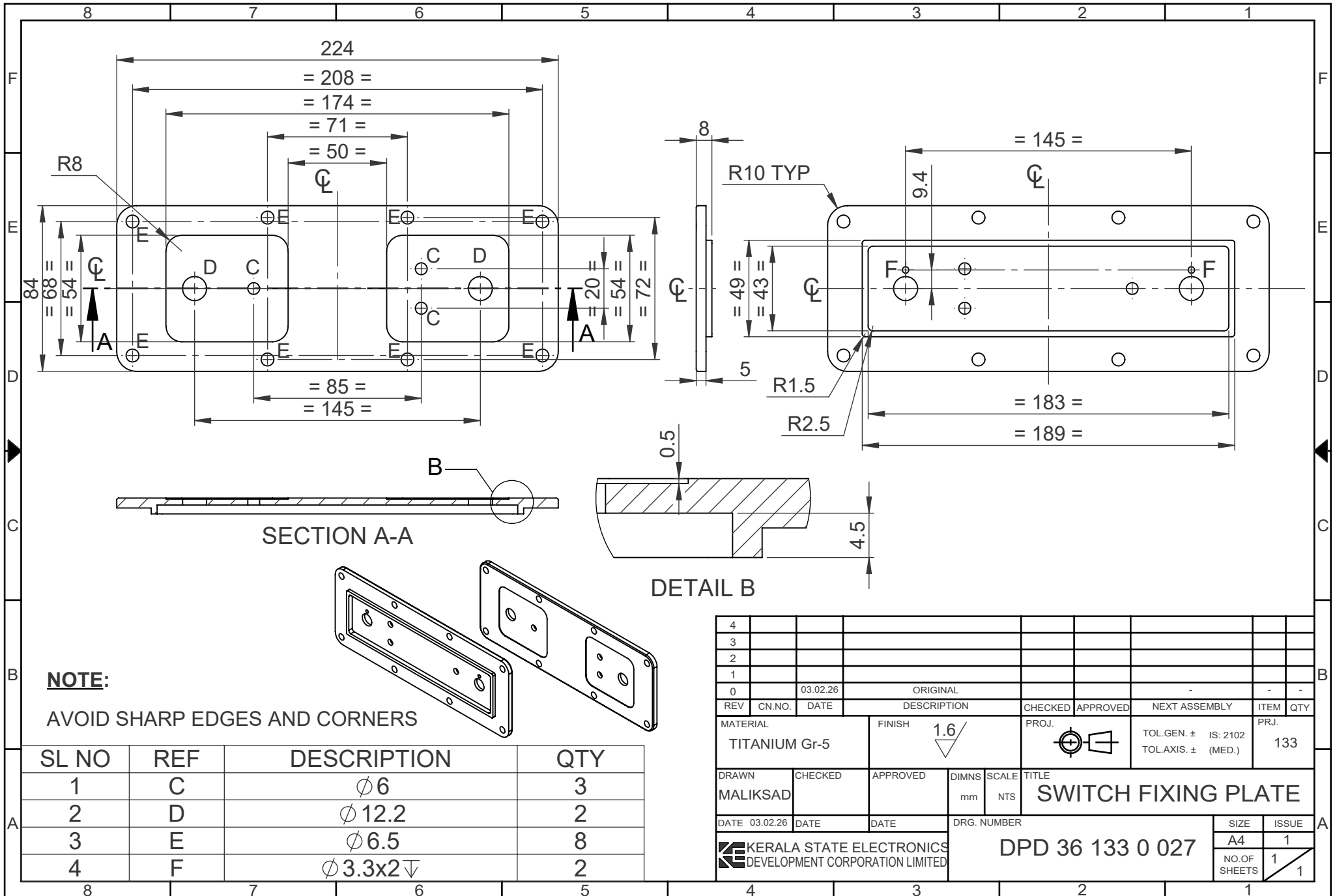
4										
3										
2										
1										
0		31.03.26		ORIGINAL				DSA 36 133 0 010	02	1
REV	CN.NO.	DATE	DESCRIPTION			CHECKED	APPROVED	NEXT ASSEMBLY	ITEM	QTY
MATERIAL			FINISH		PROJ.	TOL.GEN. ± IS: 2102		PRJ.		
TITANIUM Gr-5			1.6			TOL.AXIS ± (MED.)		133		
DRAWN	CHECKED	APPROVED	DIMNS	SCALE	TITLE					
MALIKSAD			mm	NTS	STIFFENER-2					
DATE	31.03.26	DATE	DATE	DRG. NUMBER			SIZE	ISSUE		
				DPD 36 133 0 017			A4	1		
							NO.OF SHEETS	1		
								1		



NOTE:

AVOID SHARP EDGES AND CORNERS

4										
3										
2										
1										
0		31.03.26		ORIGINAL				DSA 36 133 0 010	08	12
REV	CN.NO.	DATE	DESCRIPTION			CHECKED	APPROVED	NEXT ASSEMBLY	ITEM	QTY
MATERIAL			FINISH		PROJ.	TOL.GEN. ± IS: 2102		PRJ.		
TITANIUM Gr-5			1.6/			TOL.AXIS ± (MED.)		133		
DRAWN	CHECKED	APPROVED	DIMNS	SCALE	TITLE					
MALIKSAD			mm	NTS	STIFFENER-3					
DATE	31.03.26	DATE	DATE	DRG. NUMBER				SIZE	ISSUE	
				KERALA STATE ELECTRONICS DEVELOPMENT CORPORATION LIMITED				DPD 36 133 0 018	A4	1
								NO.OF SHEETS	1	
									1	

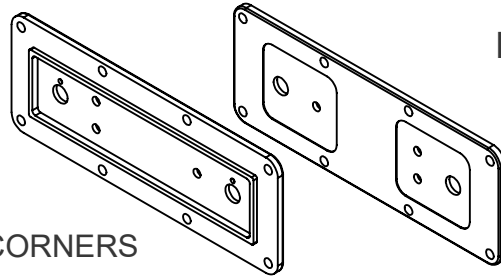


SECTION A-A

DETAIL B

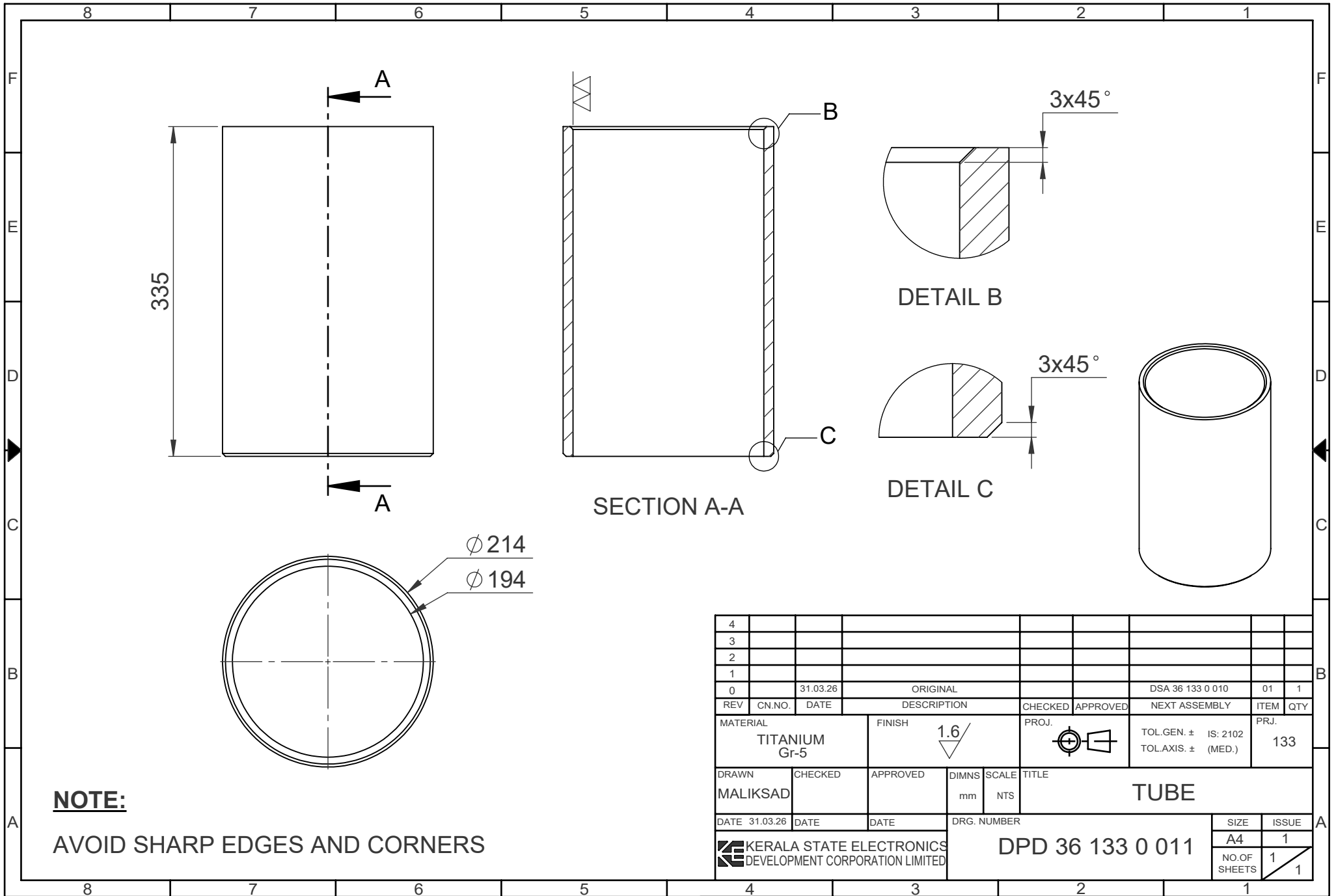
NOTE:

AVOID SHARP EDGES AND CORNERS



SL NO	REF	DESCRIPTION	QTY
1	C	∅6	3
2	D	∅12.2	2
3	E	∅6.5	8
4	F	∅3.3x2	2

4									
3									
2									
1									
0		03.02.26		ORIGINAL					
REV	CN.NO.	DATE	DESCRIPTION		CHECKED	APPROVED	NEXT ASSEMBLY	ITEM	QTY
MATERIAL		FINISH		PROJ.	TOL.GEN. ± IS: 2102		PRJ.		
TITANIUM Gr-5		1.6			TOL.AXIS ± (MED.)		133		
DRAWN	CHECKED	APPROVED	DIMNS	SCALE	TITLE				
MALIKSAD			mm	NTS	SWITCH FIXING PLATE				
DATE	03.02.26	DATE	DATE	DRG. NUMBER		SIZE	ISSUE		
				DPD 36 133 0 027		A4	1		
						NO.OF SHEETS	1		
							1		



NOTE:

AVOID SHARP EDGES AND CORNERS

4										
3										
2										
1										
0		31.03.26		ORIGINAL				DSA 36 133 0 010	01	1
REV	CN.NO.	DATE	DESCRIPTION			CHECKED	APPROVED	NEXT ASSEMBLY	ITEM	QTY
MATERIAL			FINISH		PROJ.	TOL.GEN. ± IS: 2102		PRJ.		
TITANIUM Gr-5			1.6			TOL.AXIS. ± (MED.)		133		
DRAWN	CHECKED	APPROVED	DIMNS	SCALE	TITLE					
MALIKSAD			mm	NTS	TUBE					
DATE	31.03.26	DATE	DATE	DRG. NUMBER				SIZE	ISSUE	
				KERALA STATE ELECTRONICS DEVELOPMENT CORPORATION LIMITED				DPD 36 133 0 011	A4	1
							NO.OF SHEETS	1	1	